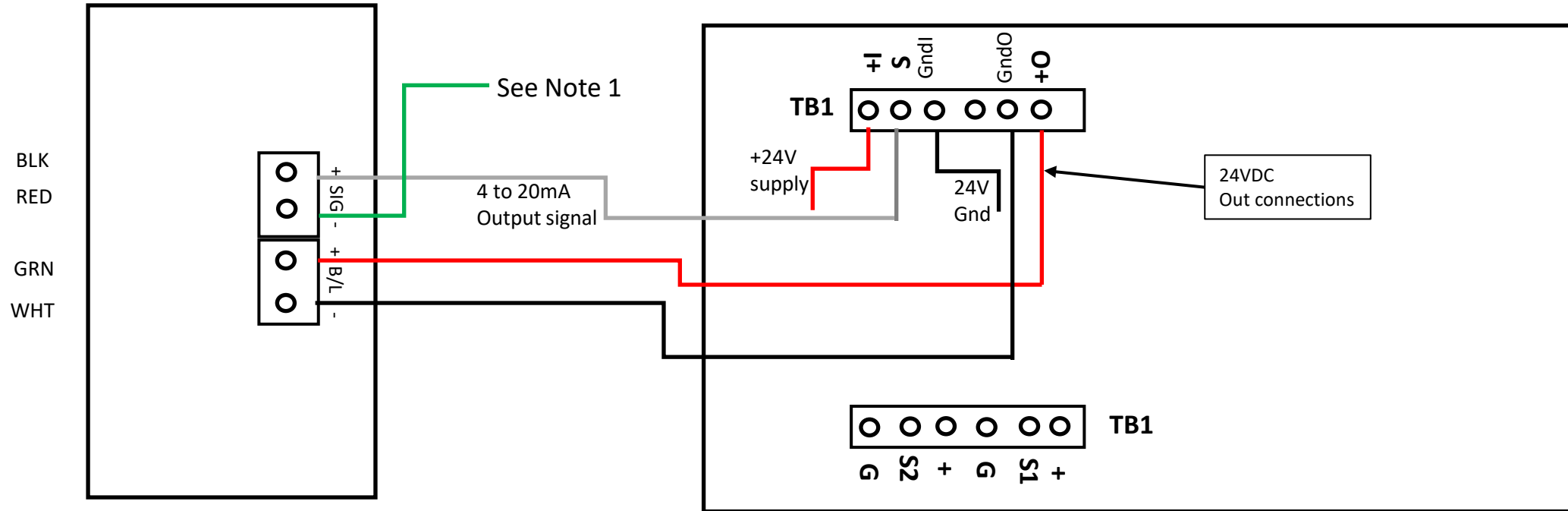


Wiring diagram – LBW-WATCHMAN to Door Monitor

LBW-WATCHMAN assembly

Door Monitor



Watchman Wire connections		Door monitor Wire connections	
TB1			
+I	+24VDC	Sig +	4 to20mA output signal
S	4 to20mA output signal	Sig -	24VDC Ground or PLC sig in
GNDI	24VDC Ground		
+O	+24VDC accessory connection	B/L+	+24VDC Back Light
GNDO	24VDC ground accessory connection	B/L -	24VDC ground Back Light

Notes:

- 1) This wire will connect to 24VDC ground if there are no other receivers, otherwise it should go to the next receiver signal input.