

Data sheet

# Pressure control valve

## Type KDC 65-200



The KDC valve is a pressure control valve. The valve controls the discharge pressure of the compressor to ensure fast build-up of pressure and lubrication pressure. The valve also acts as a check valve in the discharge line of the compressor.

The KDC valve is force-controlled so that when pressure in the oil separator becomes 2 bar (29 psi) higher than the suction pressure, the spring is compressed and the valve opens. In low-pressure units (boosters), the spring requires a differential pressure of 0.5 bar (7 psi) for the valve to open.

### Features

- Applicable to HCFC, HFC, R717 (Ammonia) and R744 (CO<sub>2</sub>).
- Each valve type is clearly marked with type, size and performance range
- Angle valves with weld connections
- Fast build-up of oil pressure in oil separator during start-up.
- High closing force on the cone during standstill, even without differential pressure across the valve
- Very low pressure drop because of spring force
- Low part-load without risk of valve chattering
- Stainless steel bolts
- Housing and bonnet material is in low temperature steel according to requirements of the Pressure Equipment Directive and other international classification authorities
- *Pressure range:*  
40 bar g (580 psig)
- *Temperature range:*  
-50/+150°C (-58/+302°F)
- Classification: DNV, CRN, BV, EAC etc. To get an updated list of certification on the products please contact your local Danfoss Sales Company.

### Technical data

- *Refrigerants*  
Applicable to HCFC, HFC, R717 (Ammonia) and R744 (CO<sub>2</sub>).  
For further information please see installation instruction for KDC.
- *Temperature range*  
-50/+150°C (-58/+302°F).
- *Pressure range*  
The valves are designed for max. working pressure 40 bar g (580 psig).

**Design**

*Connections*

Available with the following connections:

- Butt-weld DIN (2448)
- Butt-weld ANSI (B 36.10 Schedule 40),  
– DN 65 - 200 (2½ - 8 in.)

*Housing*

Made of special, cold resistant steel approved for low temperature operations.

*Valve cone*

The valve cone has two teflon tightening rings with built-in metallic stops to prevent damage to the teflon rings in case of an extreme pressure difference.

*Spindle*

The spindle is made of gas-tempered steel. Consequently the valve spindle has an extremely hard and smooth surface. The valve rod has an internal weak spring (fig. 1, pos. 13), which is active when the servo piston is in upright position.

*Actuator*

The KDC actuator has one chamber. It is separated from the main flow by a piston (fig. 1, pos. 6). The chamber has a spring (fig. 1, pos. 14) which provides differential opening of the valve. The chamber of the actuator is connected to the suction line of the compressor.

*Installation*

The valve must be mounted vertically with the cone in downward position.

On top of the bonnet the actuator has one threaded (NPT 1/4 in.) connection (fig. 1, pos. A) for the pilot line. Fittings for connection of steel pipe DN 10 (d<sub>o</sub>/d<sub>i</sub> = 10/6 mm) by means of cutting rings. The valve is designed to resist very high internal pressure, but as to the pipe system in general, hydraulic pressure caused by thermal expansions in entrapped refrigerants should be avoided.

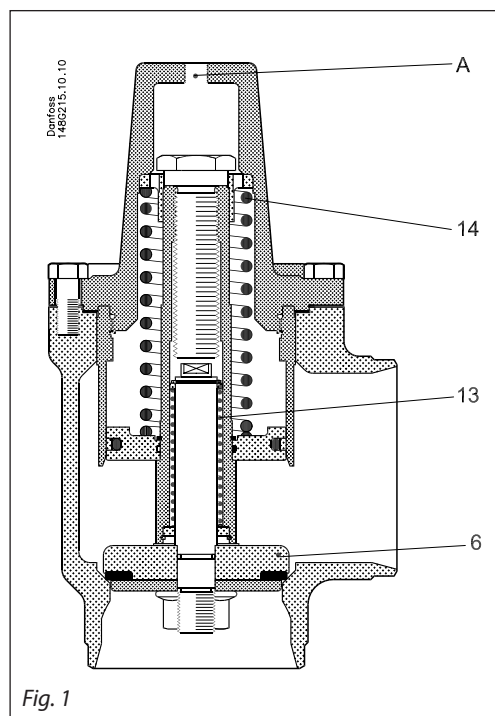
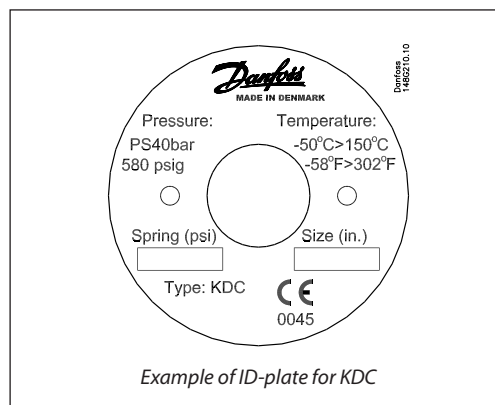


Fig. 1



Example of ID-plate for KDC

For further information please refer to KDC installation instruction.

*Pressure Equipment Directive (PED)*

KDC valves are approved according to the European standard specified in the Pressure Equipment Directive and are CE marked.

For further details / restrictions - see Installation Instruction.



KDC valves			
<b>Nominal bore</b>		DN65-80 mm (1¼ - 3 in.)	DN100 - 200 mm (4-8 in.)
<b>Classified for</b>		Fluid group I	
<b>Category</b>		II	III

**Function**

The KDC valve opens in a 3 step sequence. The sequence of steps depends on the start-up situation (see fig. 2).

**Step 1**

The valve is always closed by a minimum differential pressure of 1.5 to 2.0 bar (0.3 to 0.5 bar in a booster system). Step 1 will occur when the compressor is stopped and the discharge pressure has equalized to the top of the valve through the suction side of the compressor.

$$p_c - p_1 < 2 \text{ bar (0.5 bar for booster) and } p_c > p_2$$

**Step 2**

Step 2 will occur as soon as the condensing pressure becomes higher than the pressure in the oil separator, and when the differential pressure between suction side and condensing pressure is bigger than the spring force.

$$p_c - p_1 > 2 \text{ bar (0.5 bar for booster) and } p_c > p_2$$

When the compressor starts the valve will either be in step 1 or step 2 position, depending on the pressure difference between the oil separator and the condensing pressure.

*Start up situation 1*

Condensing pressure is lower than oil separator pressure.

Start up will occur from step 1 position and go to step 3 as soon as a differential pressure between suction side and oil separator that can overcome the spring force is present.

*Start up situation 2*

Condensing pressure is higher than oil separator pressure but the differential pressure is lower than the spring force.

Start up will occur from step 1 and go to step 2 when differential pressure between suction side and condensing pressure is bigger than the spring force. When oil separator pressure comes close to the condensing pressure the valve will start opening and the small spring will open the valve completely. The valve will then be in step 3 position.

*Start up situation 3*

Condensing pressure is higher than oil separator pressure + spring force pressure. Start up will occur from step 2 position.

When oil separator pressure comes close to the condensing pressure the valve will start opening and the small spring will open the valve completely. The valve will then be in step 3 position.

When the compressor stops, the valve will be in step 3 position and as soon as the condensing pressure has equalized to the suction side the spring force will close the valve. The valve will be in step 1 position until enough differential pressure between condensing pressure and oil separator/suction side pressure occurs for the valve to enter into step 2 position.

**NOTE:**

The KDC valve cannot be used on compressor units where the non-return valve is placed between compressor and oil separator instead of on the suction side of the compressor. The reason for this is that the KDC valve needs to have the pilot pipe connected to a point on the compressor unit, where the pressure is low during running and high during standstill.

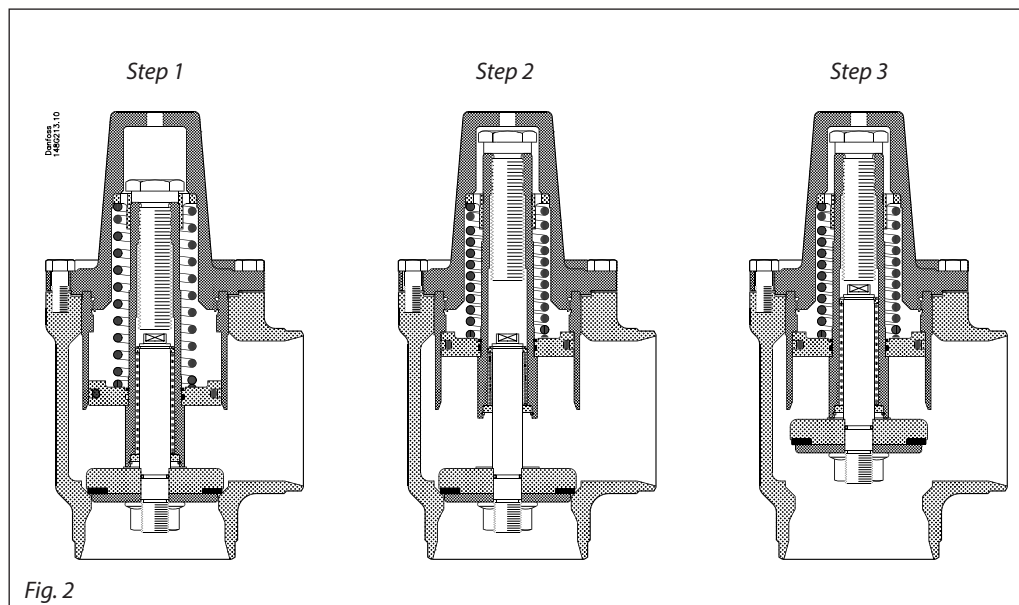
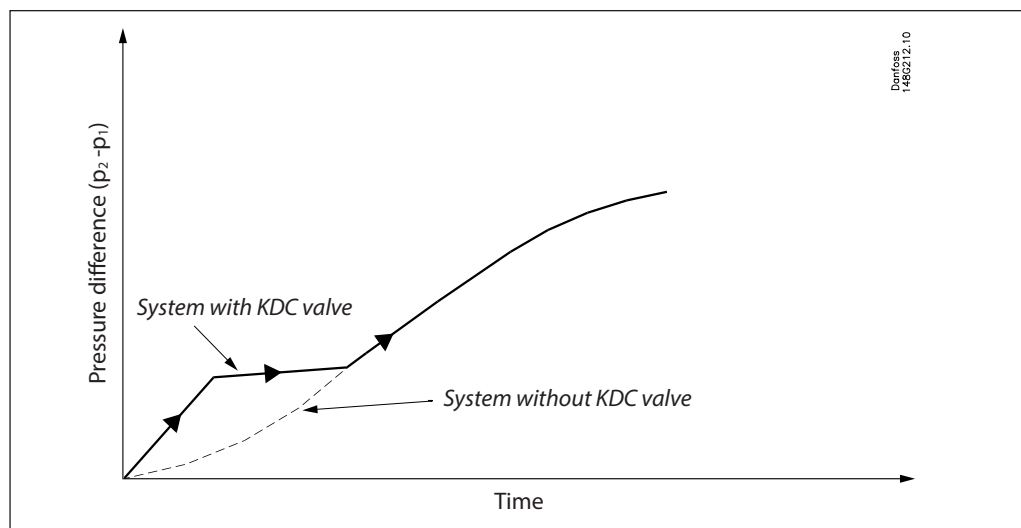


Fig. 2

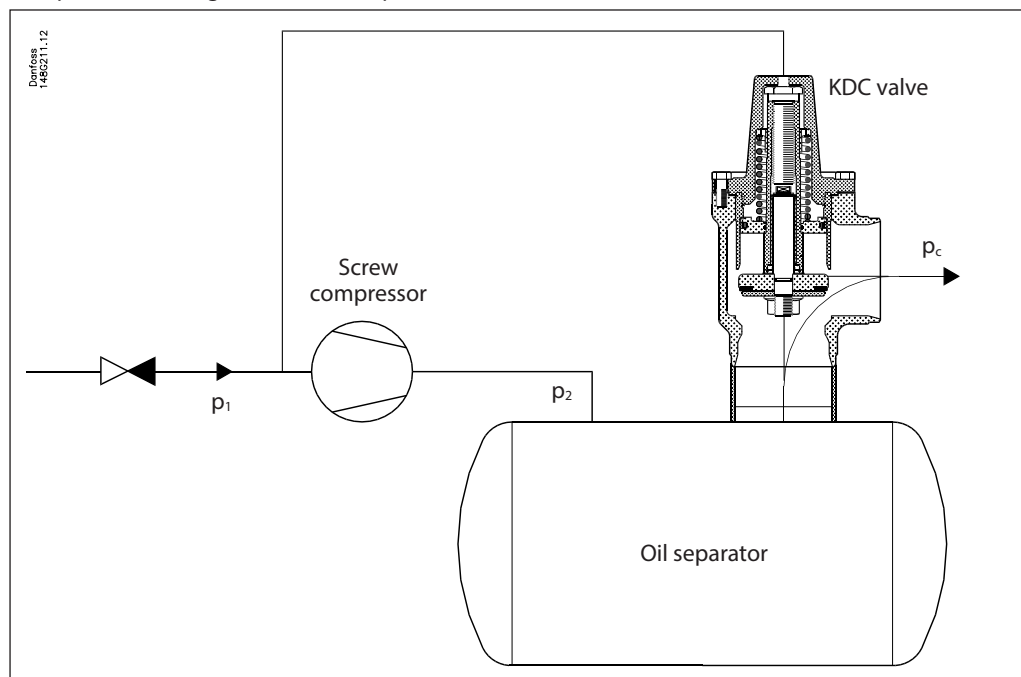
To be continued....

**Function**  
(Cont.)



**Application example**

Compressor discharge line after oil separator:



**Nominal capacities**

High pressure compressor

Capacity table at  $t_c / t_o = +35 / -15^\circ\text{C}$ ,  
 $Q_N$  [kW],  
 $\Delta p = 0.05$  bar

	KDC 65	KDC 80	KDC 100	KDC 125	KDC 150	KDC 200
R717	434	656	1128	1851	2829	4207
R404A	132	200	344	564	863	1283
R22	157	238	410	672	1028	1528

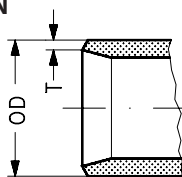
Booster compressor

Capacity table at  $t_c / t_o = -18 / -40^\circ\text{C}$ ,  
 $Q_N$  [kW],  
 $\Delta p = 0.05$  bar

	KDC 65	KDC 80	KDC 100	KDC 125	KDC 150	KDC 200
R717	229	347	597	978	1496	2225
R404A	101	153	263	432	661	983
R22	102	154	265	435	665	990

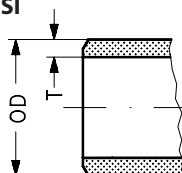
**Data sheet | Pressure control valve, type KDC**
**Connections**

Size mm	Size in.	OD mm	T mm	OD in.	T in.			k <sub>v</sub> -angle m <sup>3</sup> /h	C <sub>v</sub> -angle USgal/min
---------	----------	-------	------	--------	-------	--	--	---	---------------------------------

**DIN**

*Butt-weld DIN (2448)*

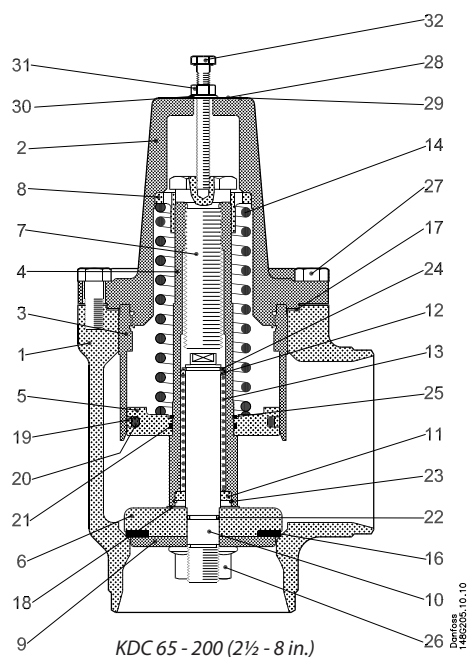
65	2½	76.1	2.9	3	0.11			78	90
80	3	88.9	3.2	3.50	0.13			118	137
100	4	114.3	3.6	4.50	0.14			203	235
125	5	139.7	4.0	5.50	0.16			333	386
150	6	168.3	4.5	6.63	0.18			509	590
200	8	219.1	6.3	8.63	0.25			757	878

Size mm	Size in.	OD mm	T mm	OD in.	T in.			k <sub>v</sub> -angle m <sup>3</sup> /h	C <sub>v</sub> -angle USgal/min
---------	----------	-------	------	--------	-------	--	--	---	---------------------------------

**ANSI**

*Butt-weld ANSI (B 36.10 Schedule 40)*

65	2½	73.0	5.2	2.87	0.20			78	90
80	3	88.9	5.5	3.50	0.22			118	137
100	4	114.3	6.0	4.50	0.24			203	235
125	5	141.3	6.6	5.56	0.26			333	386
150	6	168.3	7.1	6.63	0.28			509	590
200	8	219.1	8.2	8.63	0.32			757	878

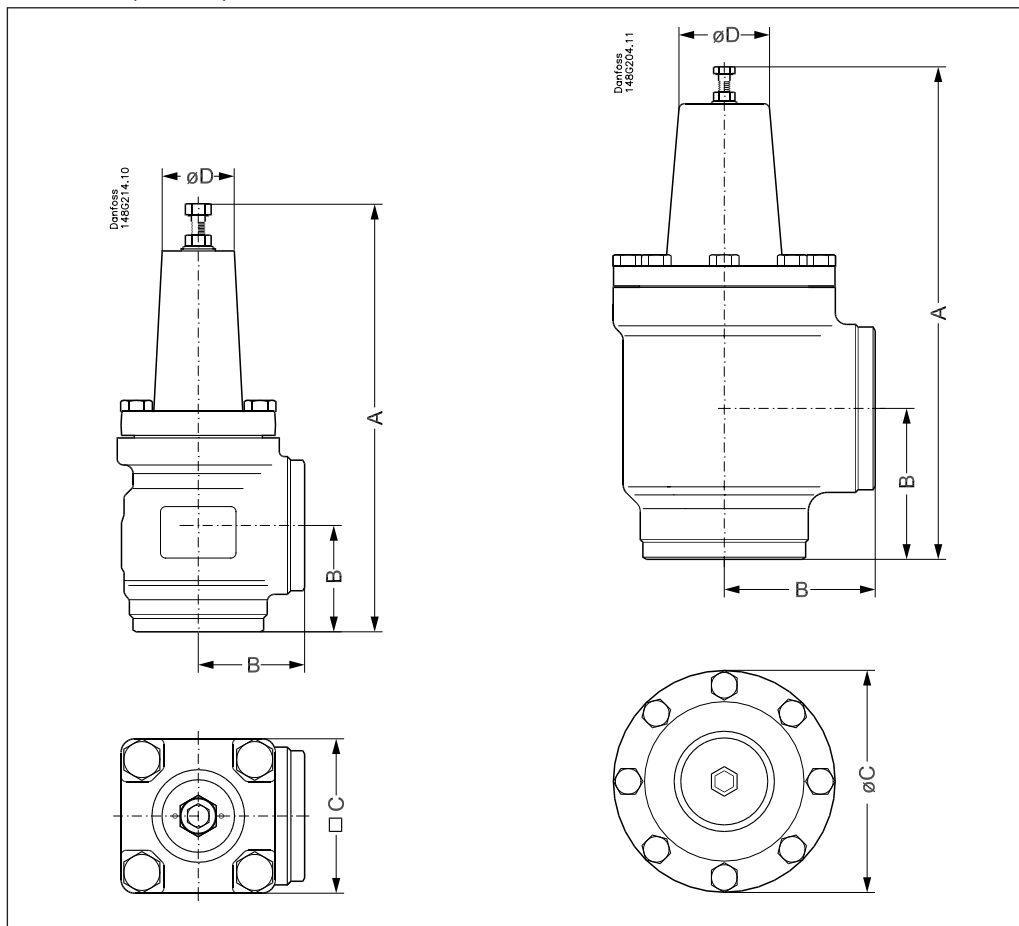
Material specification



No.	Part	Material	EN	ISO	ASTM
1	Valve House	Steel	G20Mn5QT EN10213-3		LCC A352
2	Bonnet	Steel	P285QH EN10222-4		LF2 A350
3	Piston	Steel	S235JRG2 EN10025	Fe260B 630	Grade C A283
4	Piston rod	Steel	S235JRG2 EN10025	Fe260B 630	Grade C A283
5	Piston	Steel	11SMn30 EN10087	Type 2 R683/9	Grade 1213 A29
6	Cone	Steel	11SMn30 EN10087	Type 2 R683/9	Grade 1213 A29
7	Screw for spring	Steel	11SMn30 EN10087	Type 2 R683/9	Grade 1213 A29
8	Bushing for spring	Cast iron			
9	Cone plate	Steel	11SMn30 EN10087	Type 2 R683/9	Grade 1213 A29
10	Cone rod	Steel	11SMn30 EN10087	Type 2 R683/9	Grade 1213 A29
11	Rear bushing	Cast iron			
12	Front bushing	Cast iron			
13	Spring for cone	Steel			
14	Spring	Steel			
16	Teflon ring	PTFE			
17	Gasket	Fiber gasket non-asbestos			
18	Washer	Nylon			
19	Glide ring	PTFE			
20	O-ring	Cloroprene (Neoprene) (Standard KDC) FKM (Hydrocarbon KDC)			
21	O-ring	Cloroprene (Neoprene) (Standard KDC) FKM (Hydrocarbon KDC)			
22	O-ring	Cloroprene (Neoprene) (Standard KDC) FKM (Hydrocarbon KDC)			
23	Retaining ring bore	Steel			
24	Spring ring	Steel			
25	Spring ring	Steel			
26	Nut	Steel			
27	Bolts	Steel	A2-70 EN1515-1	A2-70 3506	Grade B8 A320
28	ID plate	Aluminium			
29	Driv screw	Steel			
30	Washer	Steel			
31	Nut	Steel			
32	Screw	Steel			

Dimensions and weights

KDC 65 - 200 (2½ - 8 in.)



Valve size		A	B	C	ØD	Weight
<b>KDC</b>						
KDC 65	mm	250	62	90	42	7.3 kg
KDC 2½	in.	9.84	2.44	3.54	1.65	16.1 lb
KDC 80	mm	298	90	129	51	11.1 kg
KDC 3	in.	11.73	3.54	5.08	2.01	24.5 lb
KDC 100	mm	346	106	156	64	17.3 kg
KDC 4	in.	13.62	4.17	6.14	2.52	38.1 lb
KDC 125	mm	407	128	192	64	36.9 kg
KDC 5	in.	16.02	5.04	7.56	2.52	81.3 lb
KDC 150	mm	471	145	219	75	49.9 kg
KDC 6	in.	18.54	5.71	8.62	2.95	110.0 lb
KDC 200	mm	539	180	276	75	99.6 kg
KDC 8	in.	21.22	7.09	10.87	2.95	219.6 lb

Specified weights are approximate values only.

Bolt in top of the valve is for transportation purposes only.  
For further information please see installation instruction.

**Ordering**
**Important!**

Where products need to be certified according to specific certification societies or where higher pressures are required, the relevant information should be included at the time of ordering.

**Standard KDC with welding branches - DIN**

Size		Type	bar	Code no.
mm	in.			
65	2½	KDC 65	0.5	<b>148G3585</b>
			2	<b>148G3586</b>
			3	<b>148G3713</b>
80	3	KDC 80	0.5	<b>148G3589</b>
			2	<b>148G3590</b>
			3	<b>148G3714</b>
100	4	KDC 100	0.5	<b>148G3593</b>
			2	<b>148G3594</b>
			3	<b>148G3715</b>
125	5	KDC 125	0.5	<b>148G3597</b>
			2	<b>148G3598</b>
			3	<b>148G3716</b>
150	6	KDC 150	0.5	<b>148G3601</b>
			2	<b>148G3602</b>
200	8	KDC 200	0.5	<b>148G3605</b>
			2	<b>148G3606</b>

**Standard KDC with welding branches - ANSI**

Size		Type	bar	Code no.
mm	in.			
65	2½	KDC 65	0.5	<b>148G3587</b>
			2	<b>148G3588</b>
			3	<b>148G3811</b>
80	3	KDC 80	0.5	<b>148G3591</b>
			2	<b>148G3592</b>
			3	<b>148G3812</b>
100	4	KDC 100	0.5	<b>148G3595</b>
			2	<b>148G3596</b>
			3	<b>148G3813</b>
125	5	KDC 125	0.5	<b>148G3599</b>
			2	<b>148G3600</b>
150	6	KDC 150	0.5	<b>148G3603</b>
			2	<b>148G3604</b>
200	8	KDC 200	0.5	<b>148G3607</b>
			2	<b>148G3608</b>


**Note!**

The HYDROCARBON versions of the KDC valves are not compatible with Ammonia as refrigerant. They can only be used in systems with HYDROCARBON as refrigerant.

**HYDROCARBON KDC with welding branches - ANSI**

Size		Type	bar	Code no.
mm	in.			
65	2½	KDC 65	0.5	<b>148G3825</b>
			2	<b>148G3831</b>
80	3	KDC 80	0.5	<b>148G3826</b>
			2	<b>148G3832</b>
100	4	KDC 100	0.5	<b>148G3827</b>
			2	<b>148G3833</b>
125	5	KDC 125	0.5	<b>148G3828</b>
			2	<b>148G3834</b>
150	6	KDC 150	0.5	<b>148G3829</b>
			2	<b>148G3835</b>
200	8	KDC 200	0.5	<b>148G3830</b>
			2	<b>148G3836</b>

**Spare parts and accessories**

Type	Code no.
GASKET BONNET/HOUSING KDC/GVD 65	<b>148G3048</b>
GASKET BONNET/HOUSING KDC/GVD 80	<b>148G3049</b>
GASKET BONNET/HOUSING KDC/GVD 100	<b>148G3050</b>
GASKET BONNET/HOUSING KDC/GVD 125	<b>148G3051</b>
GASKET BONNET/HOUSING KDC/GVD 150	<b>148G3052</b>
GASKET BONNET/HOUSING KDC/GVD 200	<b>148G3053</b>

Type	Code no.
SEAL KIT SET KDC/GVD 65	<b>148G3054</b>
SEAL KIT SET KDC/GVD 80	<b>148G3055</b>
SEAL KIT SET KDC/GVD 100	<b>148G3056</b>
SEAL KIT SET KDC/GVD 125	<b>148G3057</b>
SEAL KIT SET KDC/GVD 150	<b>148G3058</b>
SEAL KIT SET KDC/GVD 200	<b>148G3059</b>

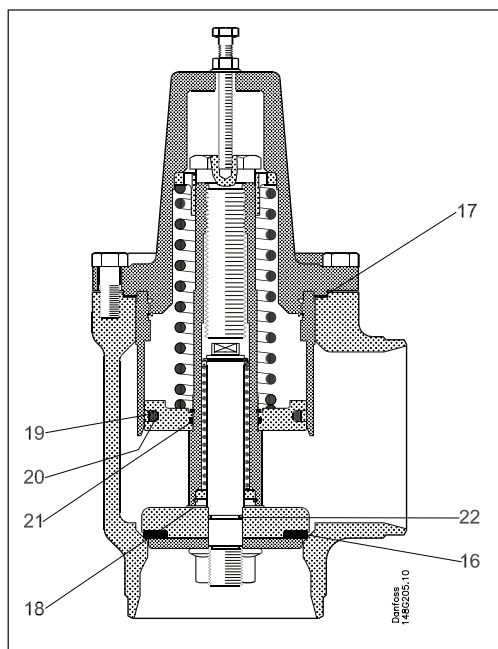
Type	Code no.
SEAL KIT SET KDC/GVD 65 Hydrocarbon	<b>148G3837</b>
SEAL KIT SET KDC/GVD 80 Hydrocarbon	<b>148G3838</b>
SEAL KIT SET KDC/GVD 100 Hydrocarbon	<b>148G3839</b>
SEAL KIT SET KDC/GVD 125 Hydrocarbon	<b>148G3840</b>
SEAL KIT SET KDC/GVD 150 Hydrocarbon	<b>148G3841</b>
SEAL KIT SET KDC/GVD 200 Hydrocarbon	<b>148G3842</b>


**Note!**

The HYDROCARBON versions of the seal kits are not compatible with Ammonia as refrigerant. They can only be used in systems with HYDROCARBON as refrigerant.



The seal kit



No.	Part	Material
16	Teflon ring	PTFE
17	Gasket	Fiber gasket non-asbestos
18	Washer	Nylon
19	Glide ring	PTFE
20-22	O-ring - Standard valve - Hydrocarbon valve	Cloroprene (Neoprene) Viton

