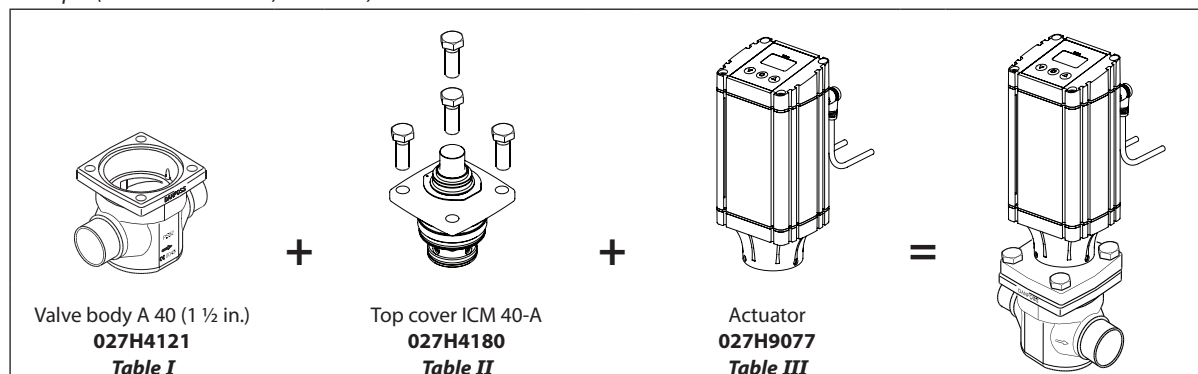


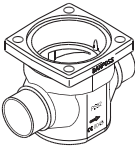
ICM 40 / ICAD 1200A

Ordering from the parts programme

Example (select from table I, II and III)



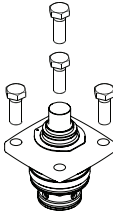
ICV 40 valve body w/different connections *Table I*



| | | | |
|------------------|--------------------|-------------------|-------------------|
| 40 D (1 1/2 in.) | 50 D (2 in.) | 42 SA (1 3/8 in.) | 42 SD (1 3/8 in.) |
| 027H4120 | 027H4126 | 027H4124 | 027H4123 |
| 40 A (1 1/2 in.) | 40 SOC (1 1/2 in.) | 50 A (2 in.) | |
| 027H4121 | 027H4122 | 027H4127 | |

D = Butt-weld DIN ; A = Butt-weld ANSI ; J = Butt-weld JIS ;
SOC = Socket weld ANSI ; SD = Solder DIN ; SA = Solder ANSI ;
FPT = Female Pipe Thread

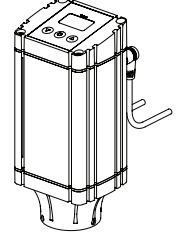
ICM 40 Function module / top cover *Table II*



| Description | Code Number |
|-------------|--------------------|
| ICM 40-A | 027H4180 *) |
| ICM 40-B | 027H4181 *) |

*) Including gasket and O-rings

Actuator ICAD 1200A *Table III*

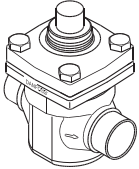


| Description | Code Number |
|--|-----------------|
| ICAD 1200A with 1.5 m. / 60 in. cables | 027H9077 |
| ICAD 1200A without cables | 027H9122 |

Ordering complete factory assembled valve without actuator

(body, function module/top cover)

Table A



| | | Available connections | | | | | | |
|----------|--|-----------------------|-----------------|-------------------|-------------------|------------------|--------------------|--------------|
| | | 40 D (1 1/2 in.) | 50 D (2 in.) | 42 SA (1 3/8 in.) | 42 SD (1 3/8 in.) | 40 A (1 1/2 in.) | 40 SOC (1 1/2 in.) | 50 A (2 in.) |
| ICM 40-A | | 027H4000 | 027H4010 | 027H4006 | 027H4008 | 027H4002 | 027H4004 | |
| ICM 40-B | | 027H4001 | | 027H4007 | 027H4009 | 027H4003 | 027H4005 | |

Select from parts programme