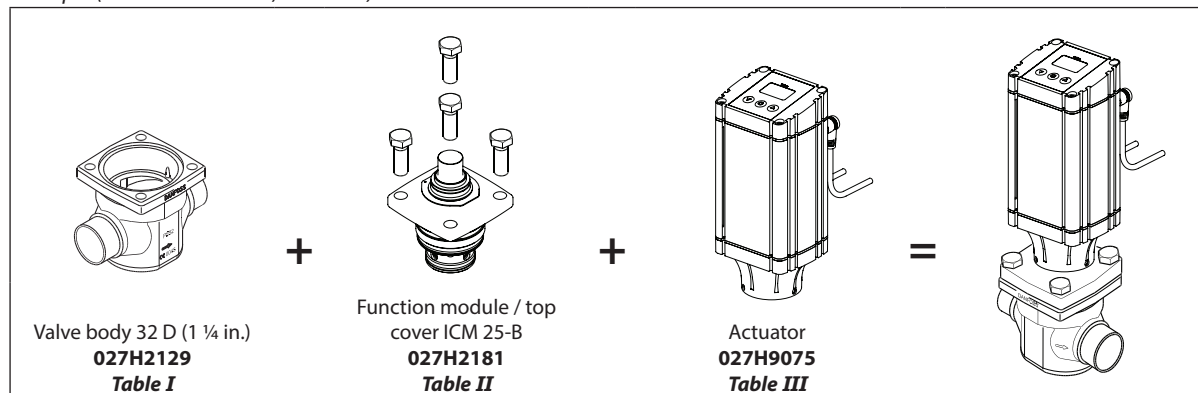


ICM 25 / ICAD 600A

Ordering from the parts programme

Example (select from table I, II and III)



ICV 25 valve body w/different connections *Table I*

	20 D (¾ in.)	25 D (1 in.)	32 D (1 ¼ in.)	40 D (1 ½ in.)
	027H2128	027H2120	027H2129	027H2135
	35 SD (1 ¾ in. SA)	28 SA (1 ½ in.)	22 SA (¾ in.)	28 SD (1 ½ in.)
	027H2134	027H2126	027H2125	027H2124
	22 SD (¾ in.)	20 A (¾ in.)	25 A (1 in.)	32 A (1 ¼ in.)
	027H2123	027H2131	027H2121	027H2130
	20 SOC (¾ in.)	25 SOC (1 in.)	20 FPT (¾ in.)	25 FPT (1 in.)
	027H2132	027H2122	027H2133	027H2127

Table I

ICM 25 Function module / top cover *Table II*

	Description	Code Number
	ICM 25-A	027H2180 *)
	ICM 25-A33	027H2190 *)
	ICM 25-B	027H2181 *)

*) Including gasket and O-rings

Table II

Actuator ICAD 600A *Table III*

	Description	Code Number
	ICAD 600A with 1.5 m. / 60 in. cables	027H9075
	ICAD 600A without cables	027H9120

Table III

D = Butt-weld DIN ; A = Butt-weld ANSI ; J = Butt-weld JIS ;
SOC = Socket weld ANSI ; SD = Solder DIN ; SA = Solder ANSI ;
FPT = Female Pipe Thread

Ordering complete factory assembled valve without actuator

(body, function module / top cover)

Table A

	Available connections							
	20 D (¾ in.)	25 D (1 in.)	32 D (1 ¼ in.)	40 D (1 ½ in.)	35 SD (1 ¾ in. SA)	28 SA (1 ½ in.)	22 SA (¾ in.)	28 SD (1 ½ in.)
ICM 25-A		027H2000		027H2016	027H2014	027H2012	027H2010	027H2008
ICM 25-B		027H2001			027H2015	027H2013	027H2011	027H2009
	22 SD (¾ in.)	20 A (¾ in.)	25 A (1 in.)	32 A (1 ¼ in.)	20 SOC (¾ in.)	25 SOC (1 in.)	20 FPT (¾ in.)	25 FPT (1 in.)
ICM 25-A	027H2006		027H2002			027H2004		
ICM 25-B	027H2007		027H2003			027H2005		

Select from parts programme