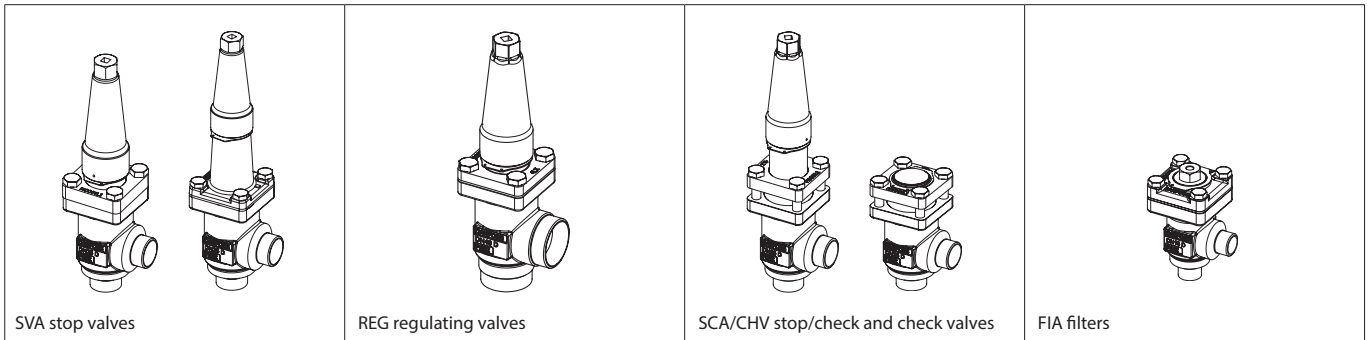


Data sheet

Spare parts and accessories

Stop valves SVA-S/L, SVA-ST, SVA-LT, SVA-HS | Regulating valves REG, REG-SA/SB
Stop/Check valves SCA, SCA-X | Filters FIA - Check valves CHV, CHV-X



Valve type	Size	See details on page #	Code no.
Inspection kits			
SVA-S/L, ST/LT - REG/SA, SB (Size 10 only)	6-10	2	148B6050
SVA-S/L, ST/LT, HS - REG/SA, SB - SCA/X - FIA - CHV/X	15-20	3-4	148B6051
SVA-S/L, ST/LT, HS - REG/SA, SB - SCA/X - FIA - CHV/X	25-40	5-6	148B6052
SVA-S/L, ST/LT, HS - REG/SA, SB - SCA/X - FIA - CHV/X	50	7-8	148B6053
SVA-S/L, ST/LT, HS - REG/SA, SB - SCA/X - FIA - CHV/X	65	9-10	148B6054
SVA-S/L, ST/LT, HS - SCA/X - FIA - CHV/X	80	11-12	148B6055
SVA-S/L, ST/LT, HS - SCA/X - FIA - CHV/X	100	13-14	148B6056
SVA-S/L, ST/LT, HS - SCA/X - FIA - CHV/X	125	15-16	148B6057
SVA-S/L, ST/LT, HS - FIA	150	17	148B6058
SVA-S/L, ST/LT, HS - FIA	200	18	148B6059

Valve type	Size	See details on page #	Code no.
Repair kits			
SVA-S/L, ST/LT - REG/SA, SB (Size 10 only)	6-10	19	148B6060
SVA-S/L, ST/LT, HS - REG/SA, SB - SCA/X	15-20	20-21	148B6061
SVA-S/L, ST/LT, HS - REG/SA, SB - SCA/X	25-40	22-23	148B6062
SVA-S/L, ST/LT, HS - REG/SA, SB - SCA/X	50	24-25	148B6063
SVA-S/L, ST/LT, HS - REG/SA, SB - SCA/X	65	26-27	148B6064
SVA-S/L, ST/LT, HS - SCA/X	80	28	148B6065
SVA-S/L, ST/LT, HS - SCA/X	100	29	148B6066
SVA-S/L, ST/LT, HS - SCA/X	125	30	148B6067
SVA-S/L, ST/LT, HS	150	31	148B6068
SVA-S/L, ST/LT, HS	200	32	148B6473

Valve type	Size	See details on page #	Code no.
Overhaul kits			
SVA-S/L, ST/LT	6-10	33	148B6150
SVA-S/L, ST/LT, HS	15-20	34	148B6151
SVA-S/L, ST/LT, HS	25-40	35	148B6152
SVA-S/L, ST/LT, HS	50	36	148B6153
SVA-S/L, ST/LT, HS	65	37	148B6154
SVA-S/L, ST/LT, HS	80	38	148B6155
SVA-S/L, ST/LT, HS	100	39	148B6156
SVA-S/L, ST/LT, HS	125	40	148B6157
SVA-S/L, ST/LT, HS	150	41	148B6158
SVA-S/L, ST/LT, HS	200	42	148B6472

Valve type	Size	See details on page #	Code no.
Overhaul kits			
SCA / X	15-20	43	148B6160
SCA / X	25-40	44	148B6161
SCA / X	50	45	148B6162
SCA / X	65	46	148B6163
SCA / X	80	47	148B6164
SCA / X	100	48	148B6165
SCA / X	125	49	148B6166
CHV / X	15-20	50	148B6167
CHV / X	25-40	51	148B6168
CHV / X	50	52	148B6169
CHV / X	65	53	148B6170
CHV / X	80	54	148B6171
CHV / X	100	55	148B6172
CHV / X	125	56	148B6173
REG-SA/SB	10	57	148B6174
REG-SA/SB	15-20	58	148B6175
REG-SA/SB	25-40	59	148B6176
REG-SA/SB	50	60	148B6177
REG-SA/SB	65	61	148B6178

Valve type	Size	See details on page #	Code no.
Accessories			
Cap incl. gasket Hand wheel incl. nut and washer Spring for stop/check and check valves Gasket for housing/top cover Grease for packing gland		62	

For REG valves with the previous cone design please refer to the spare part sheets DKRCI.PY.KM0.A and DKRCI.PY.KM0.D.

All kits are also suitable for the stainless steel versions of the products.
For the Flexline™ products the alternative for the overhaul kit could be the standard top part from the parts programme.
Please refer to the technical brochures of the individual Flexline™ products.

Inspection kits:

Contain all gaskets, O-rings and aluminium rings belonging to indicated valve type and valve size.
For detailed content, see specific pages.

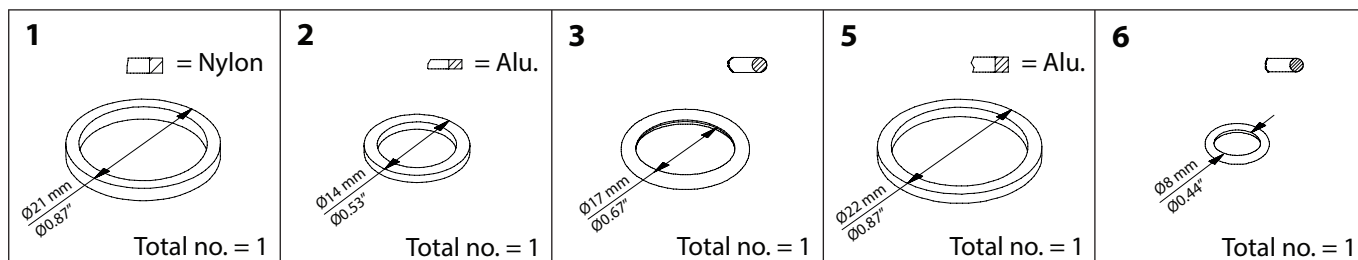
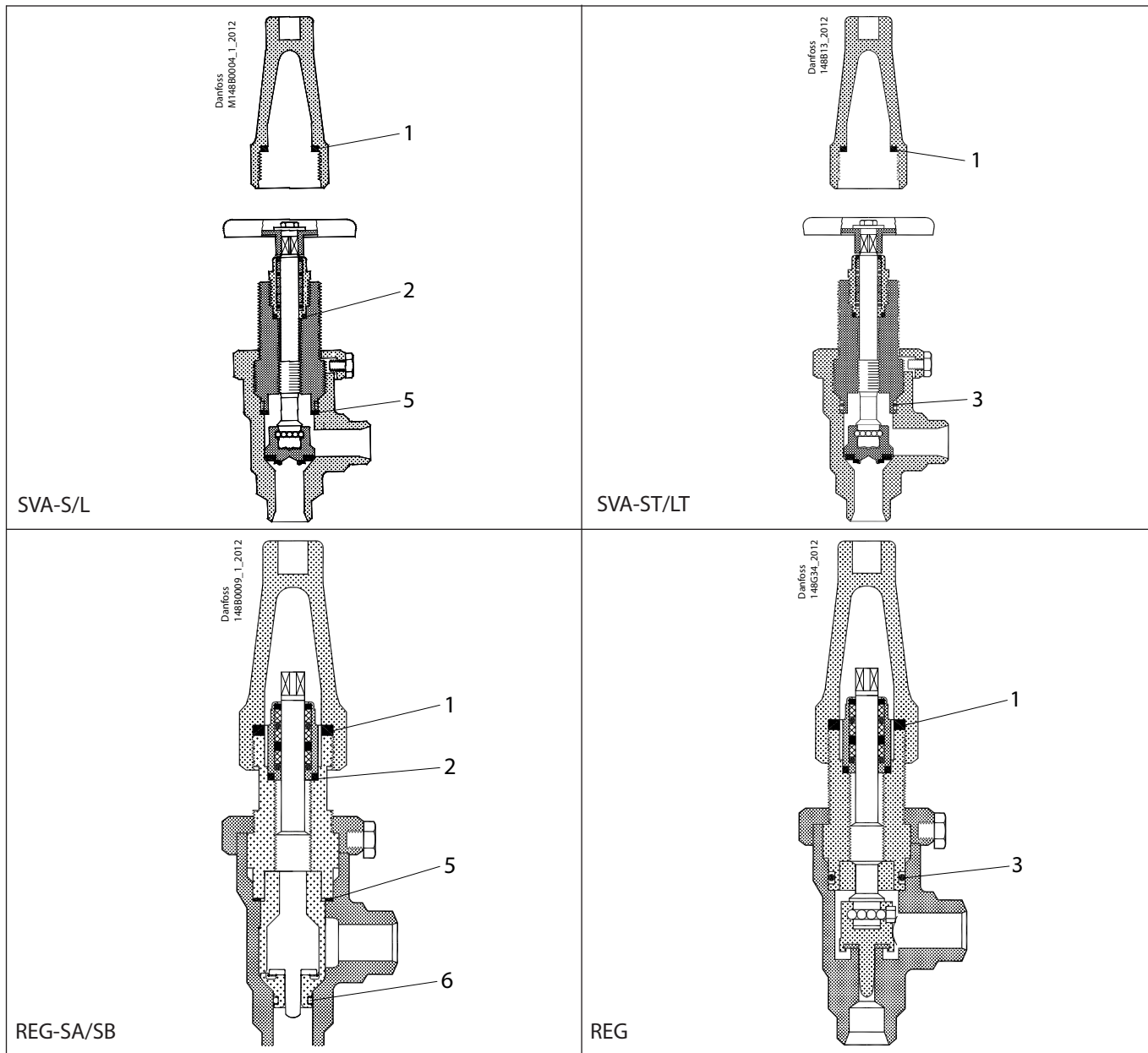
Repair kits:

Contain all gaskets, O-rings and aluminium rings belonging to indicated valve type and valve size along with a complete packing gland.
For detailed content, see specific pages.

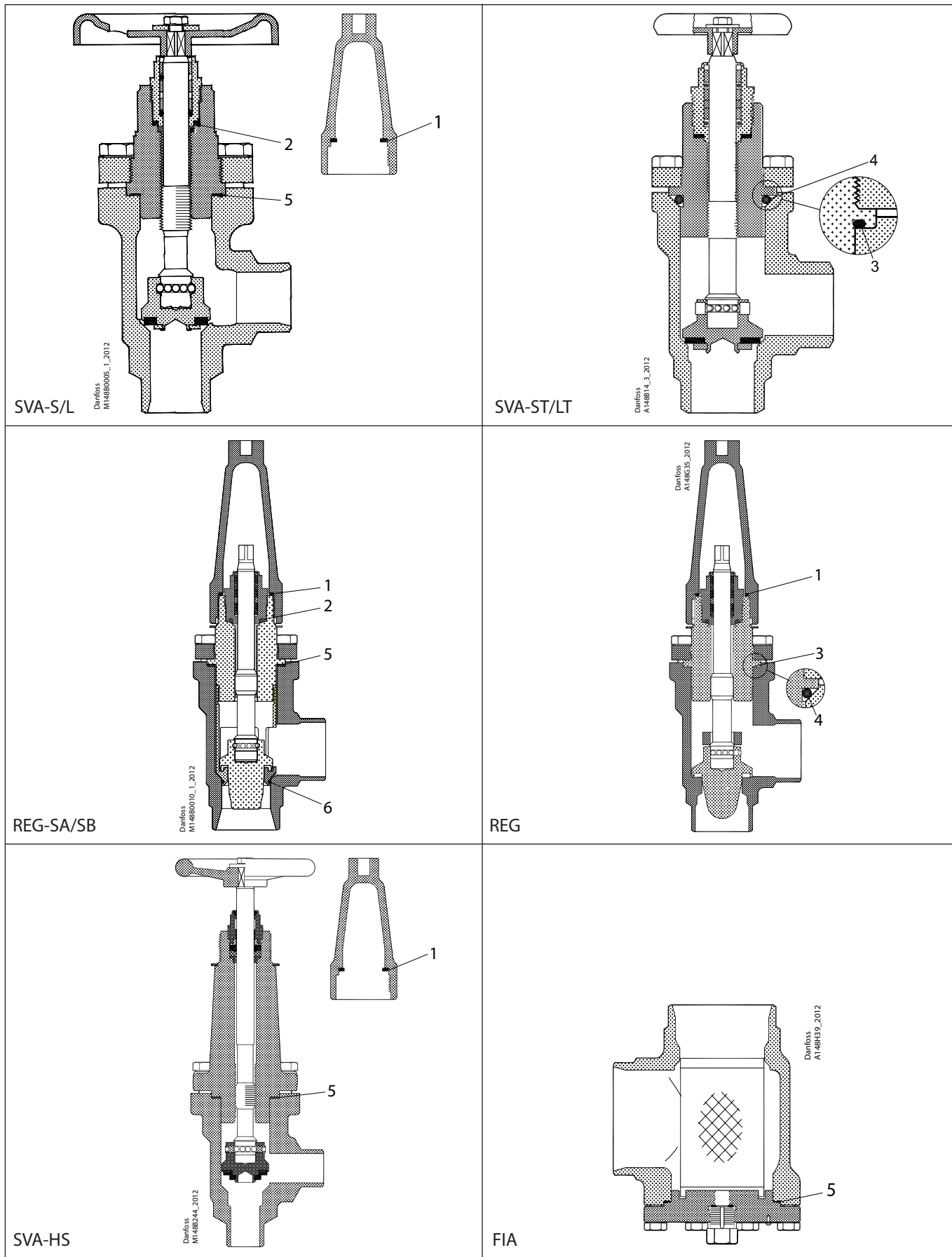
Overhaul kits:

Contain all gaskets, O-rings and aluminium rings belonging to indicated valve type and valve size and, where applicable, complete packing gland and parts that could be damaged or worn out. For detailed content, see specific pages.

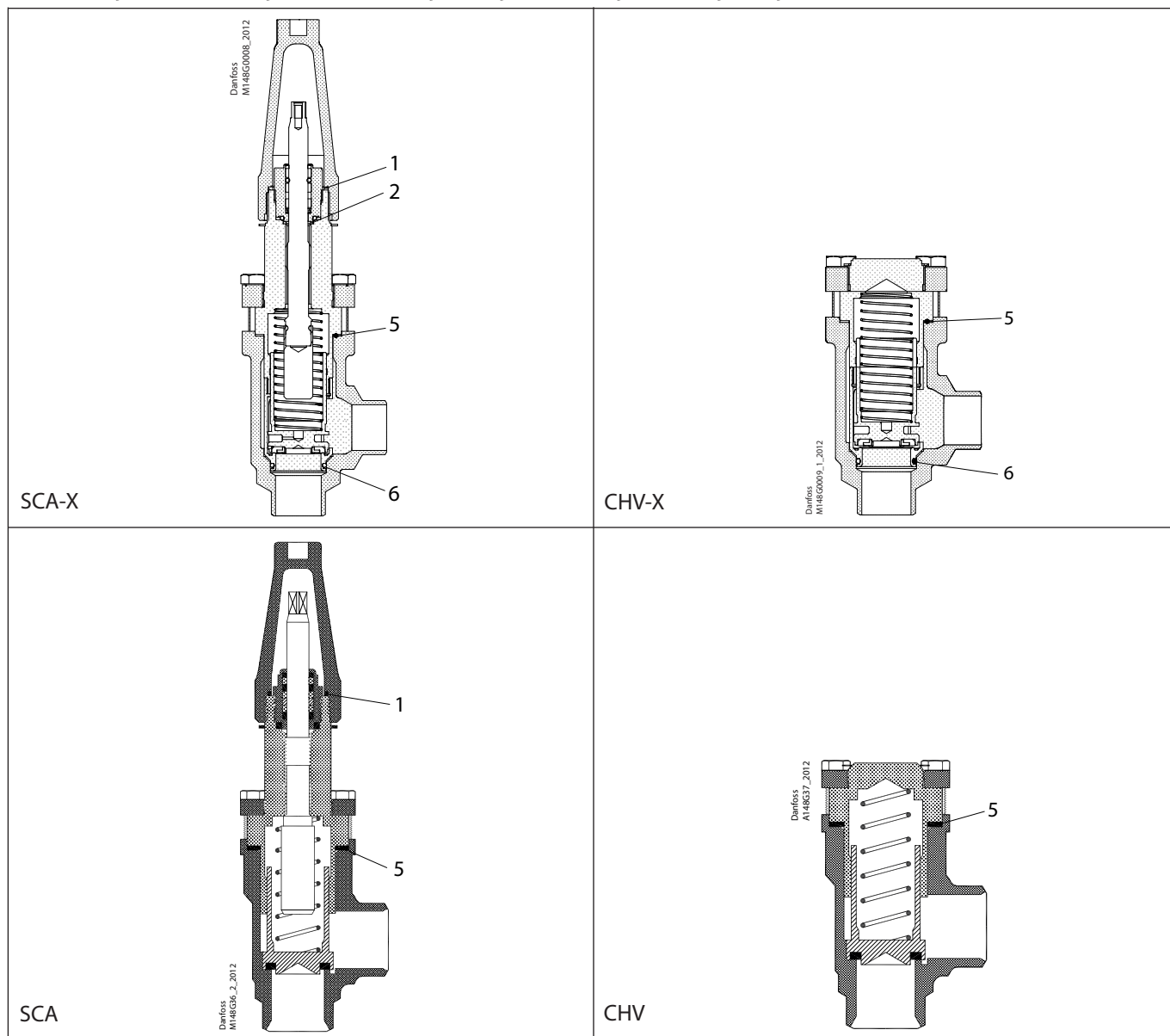
Inspection kit | Code number 148B6050
SVA-S/L, SVA-ST/LT sizes 6 to 10, REG-SA/SB, REG size 10



Inspection kit | Code number 148B6051
SVA-S/L, SVA-ST/LT, REG-SA/SB, REG, SVA-HS, SCA/X, FIA, CHV/X sizes 15 - 20

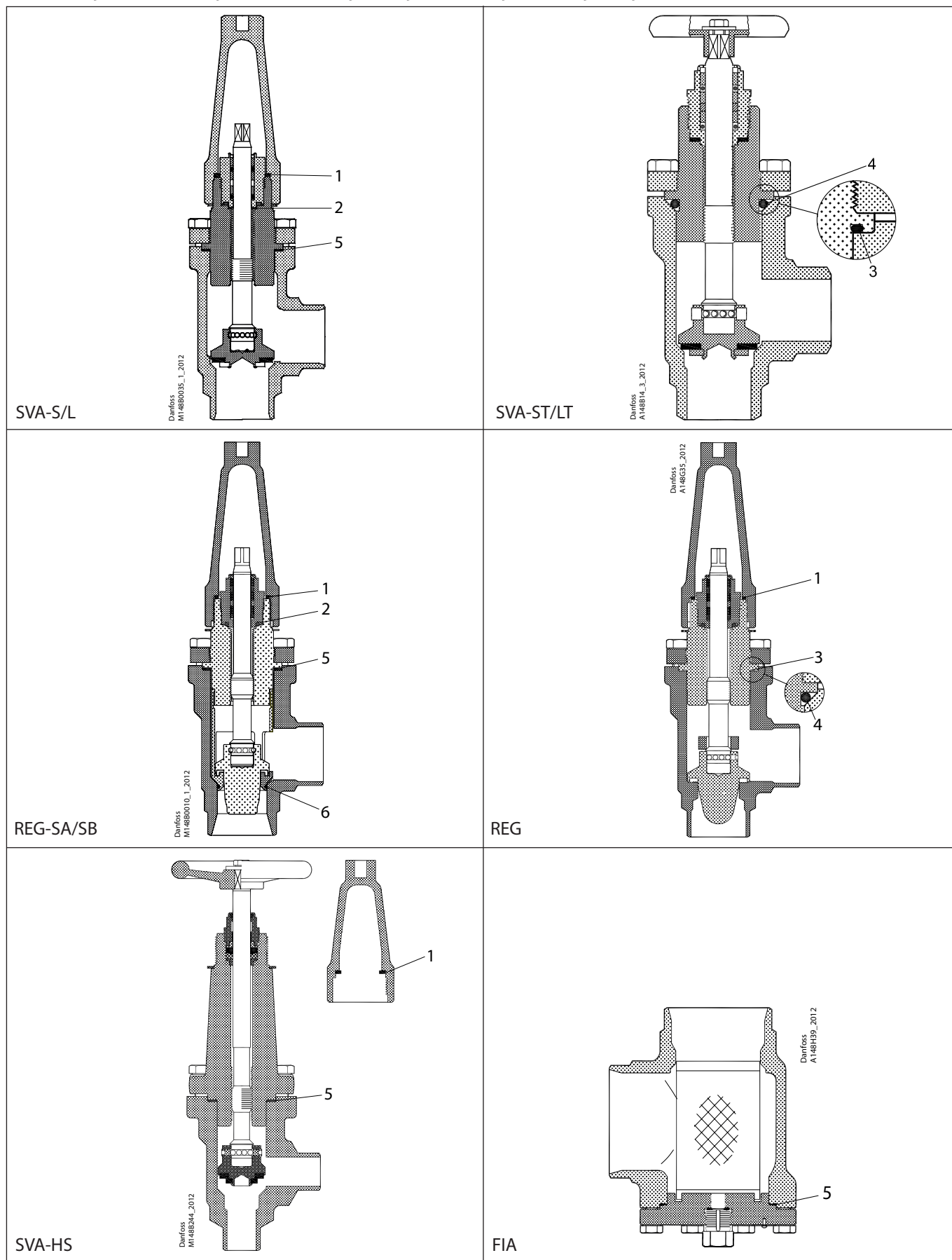


Inspection kit | Code number 148B6051
SVA-S/L, SVA-ST/LT, REG-SA/SB, REG, SVA-HS, SCA/X, FIA, CHV/X sizes 15 - 20

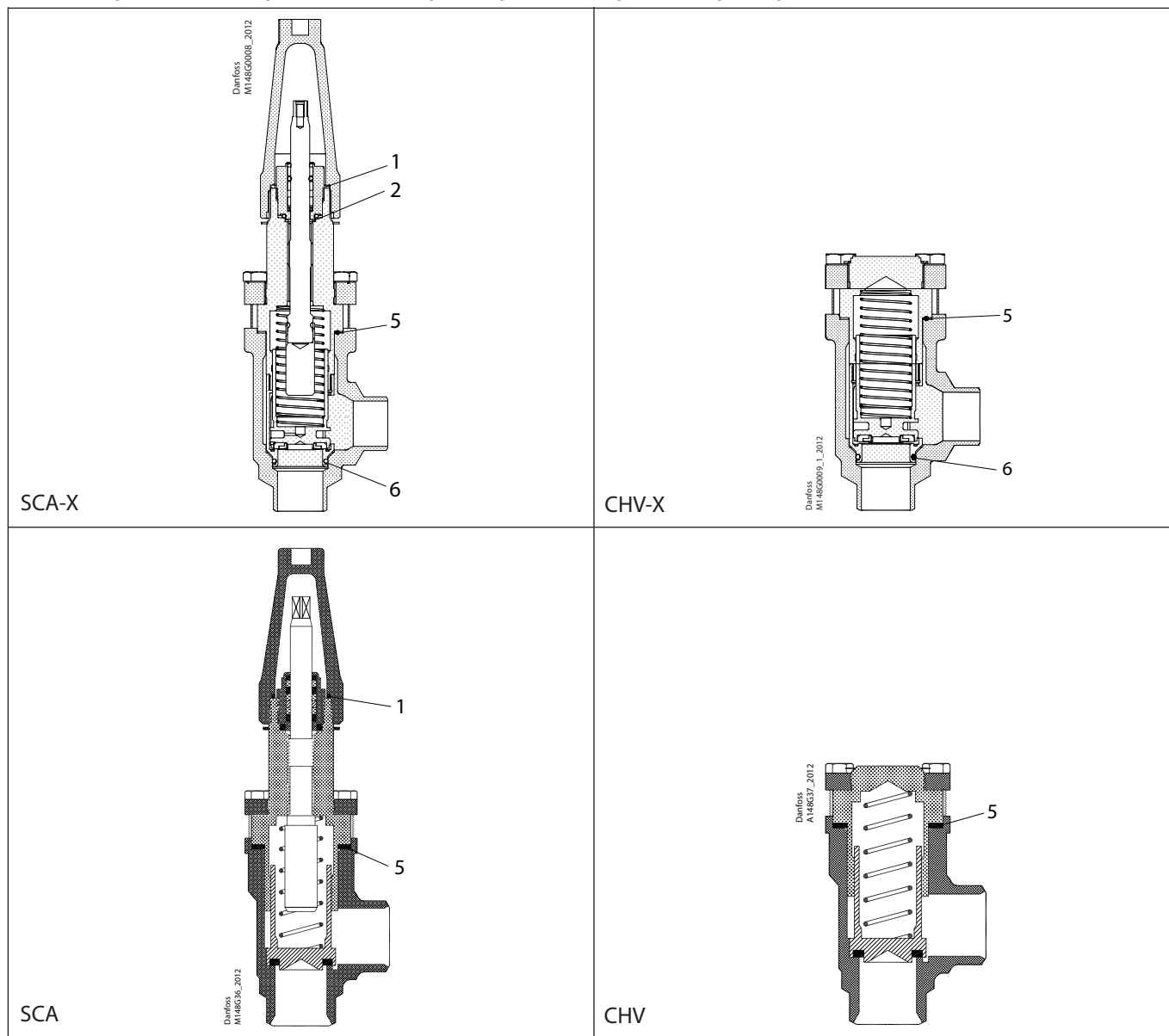


<p>1</p> <p> = Nylon</p> <p>Total no. = 1</p>	<p>2</p> <p> = Alu.</p> <p>Total no. = 1</p>	<p>3</p> <p>Total no. = 1</p>	<p>4</p> <p>Total no. = 1</p>	<p>5</p> <p> = Fibre</p> <p>Total no. = 1</p>
<p>6</p> <p>Total no. = 1</p>				

Inspection kit | Code number 148B6052
SVA-S/L, SVA-ST/LT, REG-SA/SB, REG, SVA-HS, SCA/X, FIA, CHV/X sizes 25-40

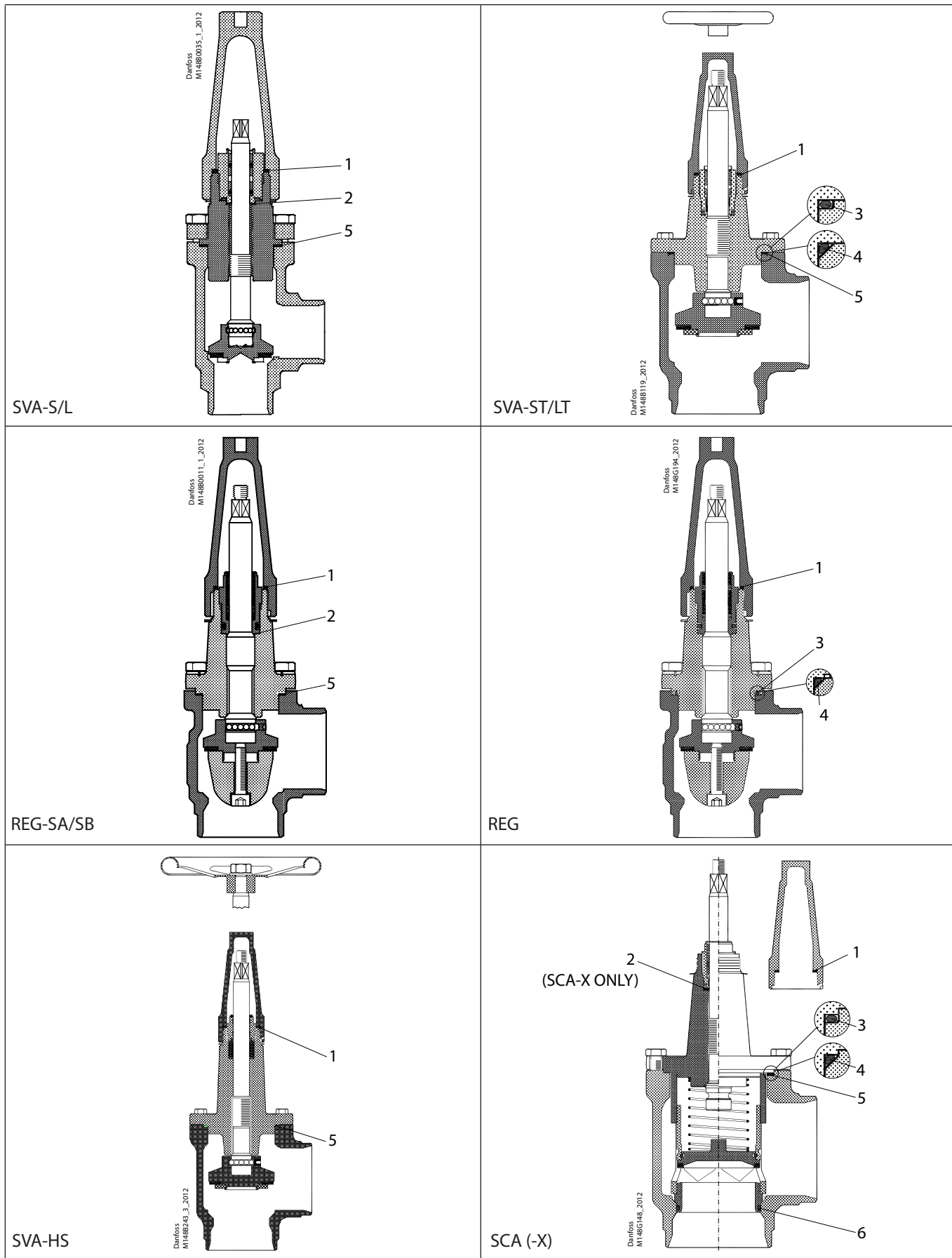


Inspection kit | Code number 148B6052
SVA-S/L, SVA-ST/LT, REG-SA/SB, REG, SVA-HS, SCA/X, FIA, CHV/X sizes 25-40

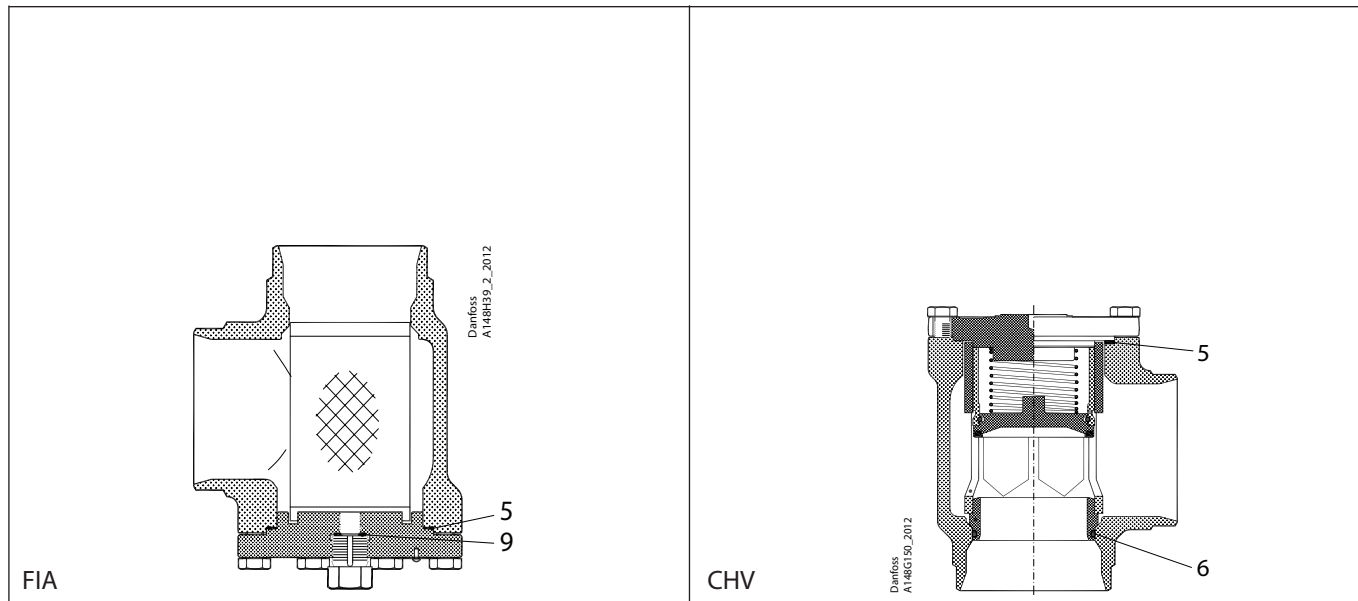


<p>1 = Nylon</p> <p>Total no. = 1</p>	<p>2 = Alu.</p> <p>Total no. = 1</p>	<p>3 </p> <p>Total no. = 1</p>	<p>4 </p> <p>Total no. = 1</p>	<p>5 = Fibre</p> <p>Total no. = 1</p>
<p>6 </p> <p>Total no. = 1</p>				

Inspection kit | Code number 148B6053
SVA-S/L, SVA-ST/LT, REG-SA/SB, REG, SVA-HS, SCA/X, FIA, CHV/X size 50

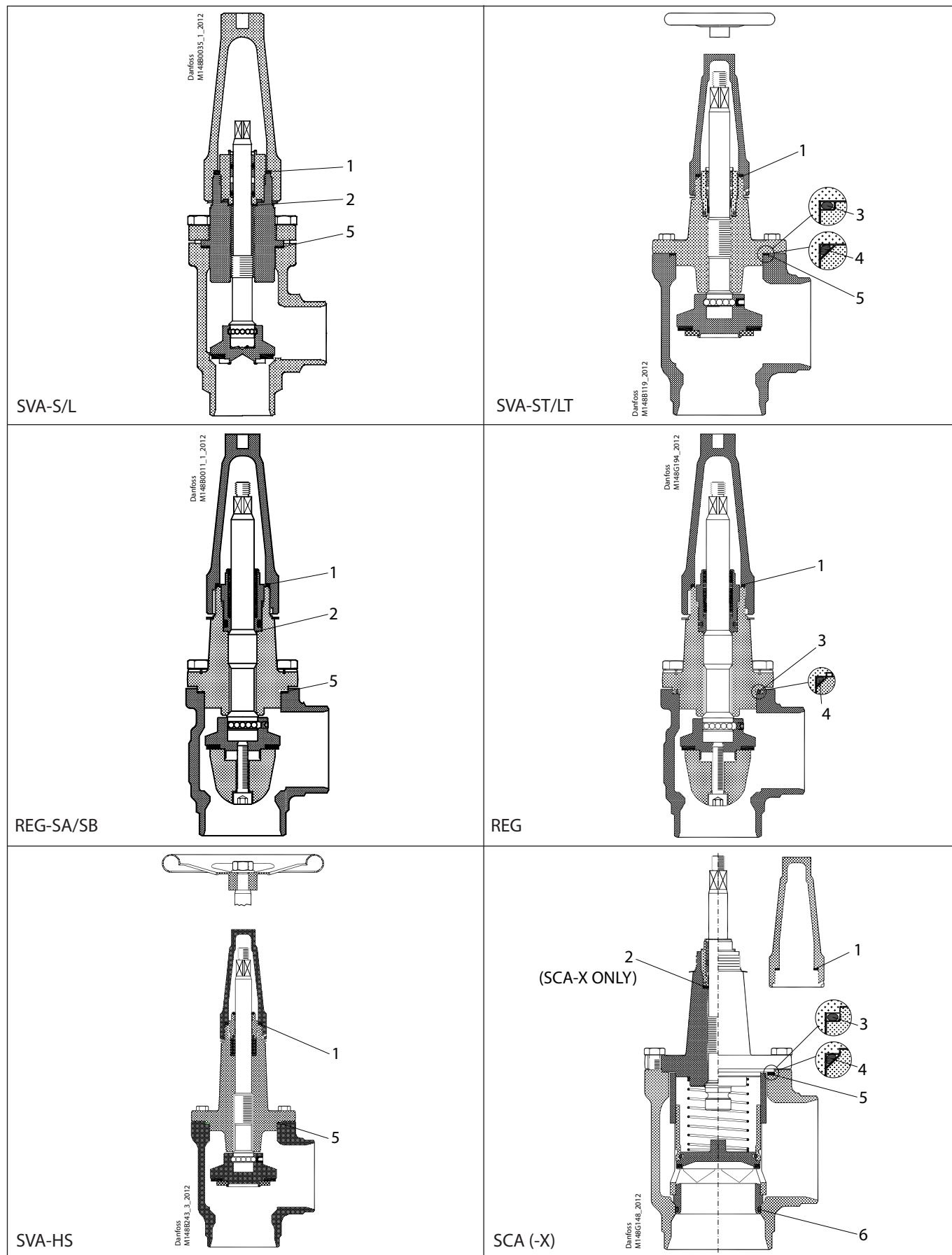


Inspection kit | Code number 148B6053
SVA-S/L, SVA-ST/LT, REG-SA/SB, REG, SVA-HS, SCA/X, FIA, CHV/X size 50

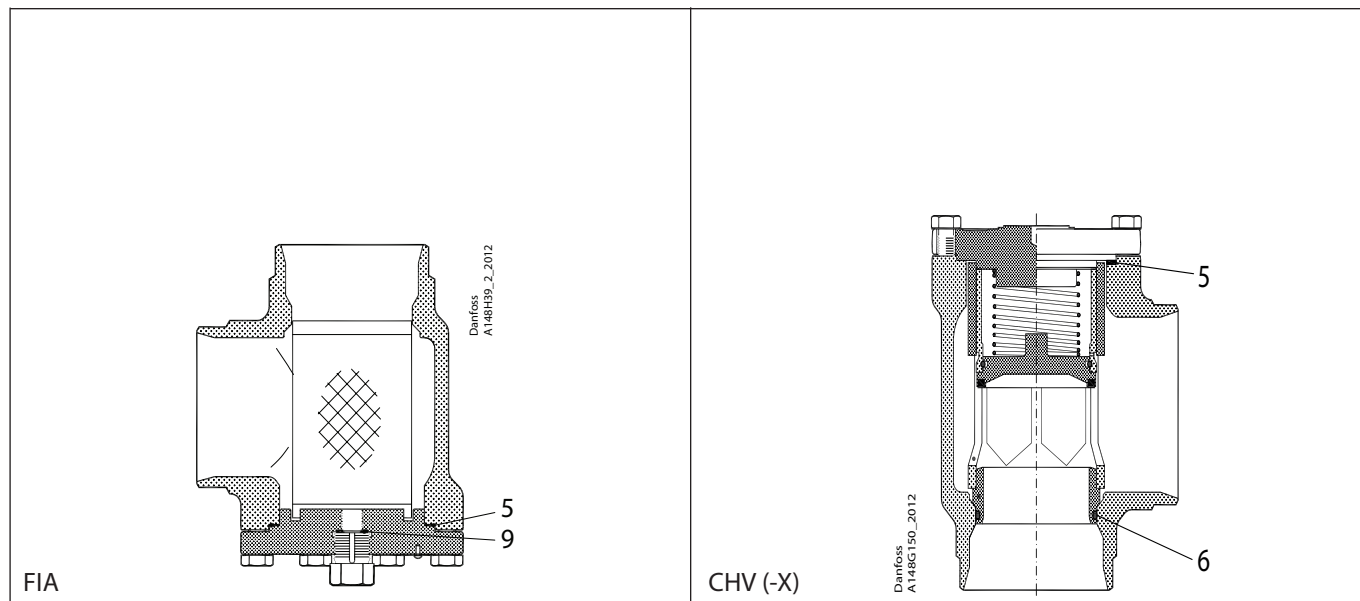


<p>1</p> <p> = Nylon</p> <p>Total no. = 1</p>	<p>2</p> <p> = Alu.</p> <p>Total no. = 1</p>	<p>3</p> <p>Total no. = 1</p>	<p>4</p> <p>Total no. = 1</p>	<p>5</p> <p> = Fibre</p> <p>Total no. = 1</p>
<p>6</p> <p>Total no. = 1</p>	<p>9</p> <p> = Alu.</p> <p>Total no. = 1</p>			

Inspection kit | Code number 148B6054
SVA-S/L, SVA-ST/LT, REG-SA/SB, REG, SVA-HS, SCA/X, FIA, CHV/X size 65

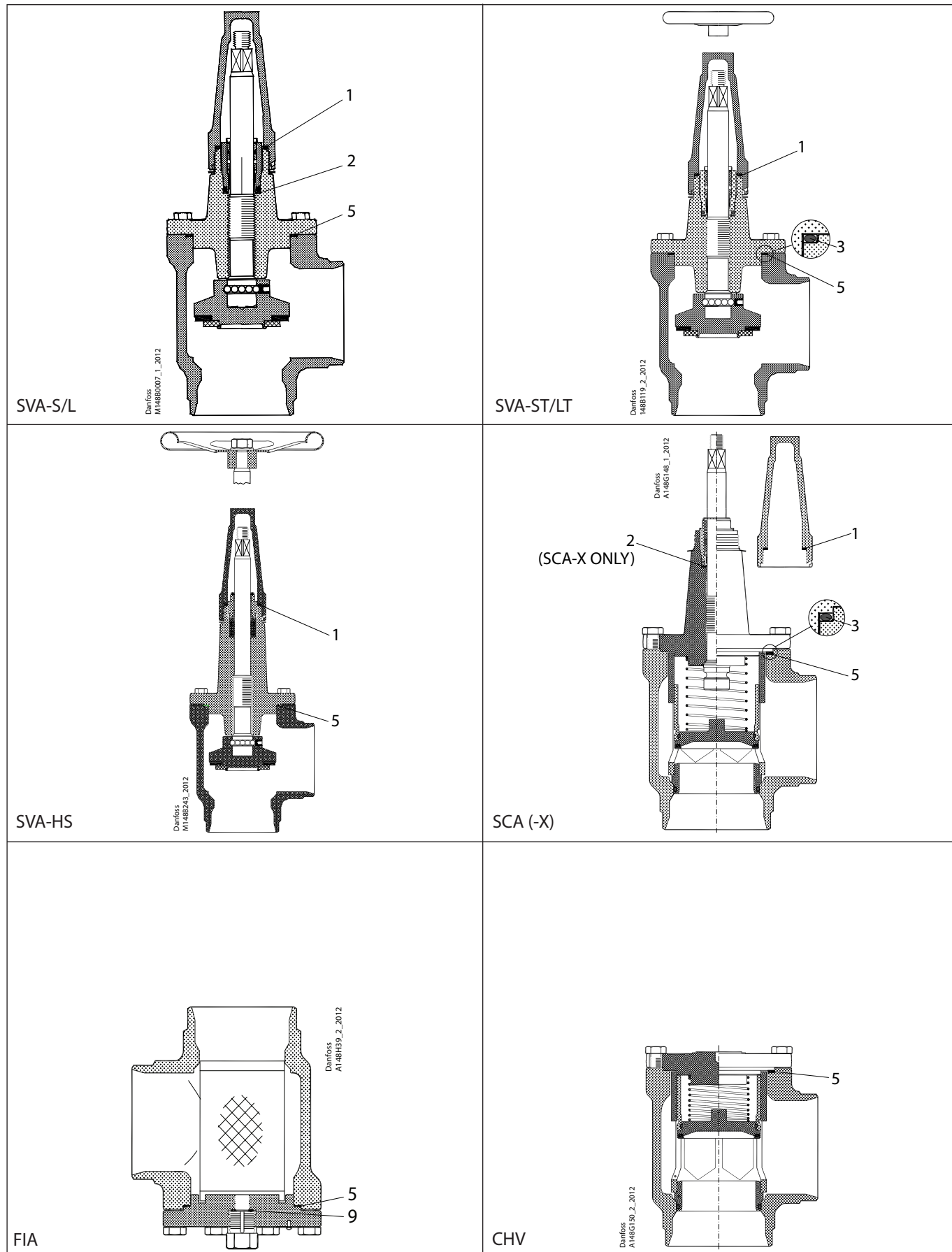


Inspection kit | Code number 148B6054
SVA-S/L, SVA-ST/LT, REG-SA/SB, REG, SVA-HS, SCA/X, FIA, CHV/X size 65

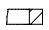
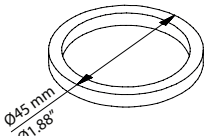
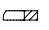
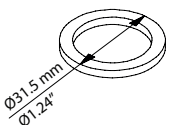
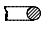
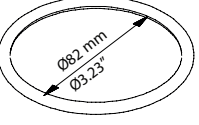
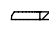
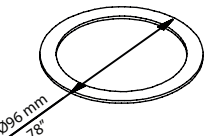
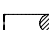
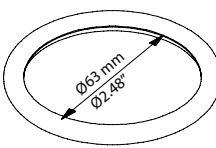
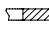
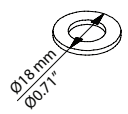


<p>1</p> <p> = Nylon</p> <p>Total no. = 1</p>	<p>2</p> <p> = Alu.</p> <p>Total no. = 1</p>	<p>3</p> <p>Total no. = 1</p>	<p>4</p> <p>Total no. = 1</p>	<p>5</p> <p> = Fibre</p> <p>Total no. = 1</p>
<p>6</p> <p>Total no. = 1</p>	<p>9</p> <p> = Alu.</p> <p>Total no. = 1</p>			

Inspection kit | Code number 148B6055
SVA-S/L, SVA-ST/LT, SVA-HS, SCA/X, FIA, CHV/X size 80



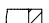
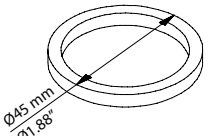
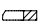
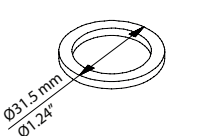

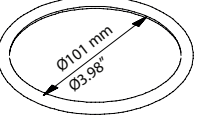
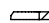
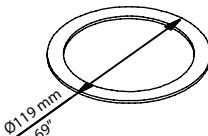
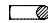
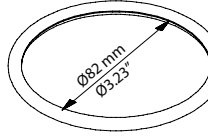
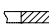
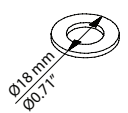
Inspection kit | Code number 148B6055
SVA-S/L, SVA-ST/LT, SVA-HS, SCA/X, FIA, CHV/X size 80

<p>1</p> <p> = Nylon</p>  <p>Ø45 mm Ø38 mm</p> <p>Total no. = 1</p>	<p>2</p> <p> = Alu.</p>  <p>Ø31.5 mm Ø24 mm</p> <p>Total no. = 1</p>	<p>3</p> <p> = Alu.</p>  <p>Ø82 mm Ø73 mm</p> <p>Total no. = 1</p>	<p>5</p> <p> = Fibre</p>  <p>Ø96 mm Ø78 mm</p> <p>Total no. = 1</p>	<p>6</p> <p> = Alu.</p>  <p>Ø63 mm Ø48 mm</p> <p>Total no. = 1</p>
<p>9</p> <p> = Alu.</p>  <p>Ø18 mm Ø7 mm</p> <p>Total no. = 1</p>				

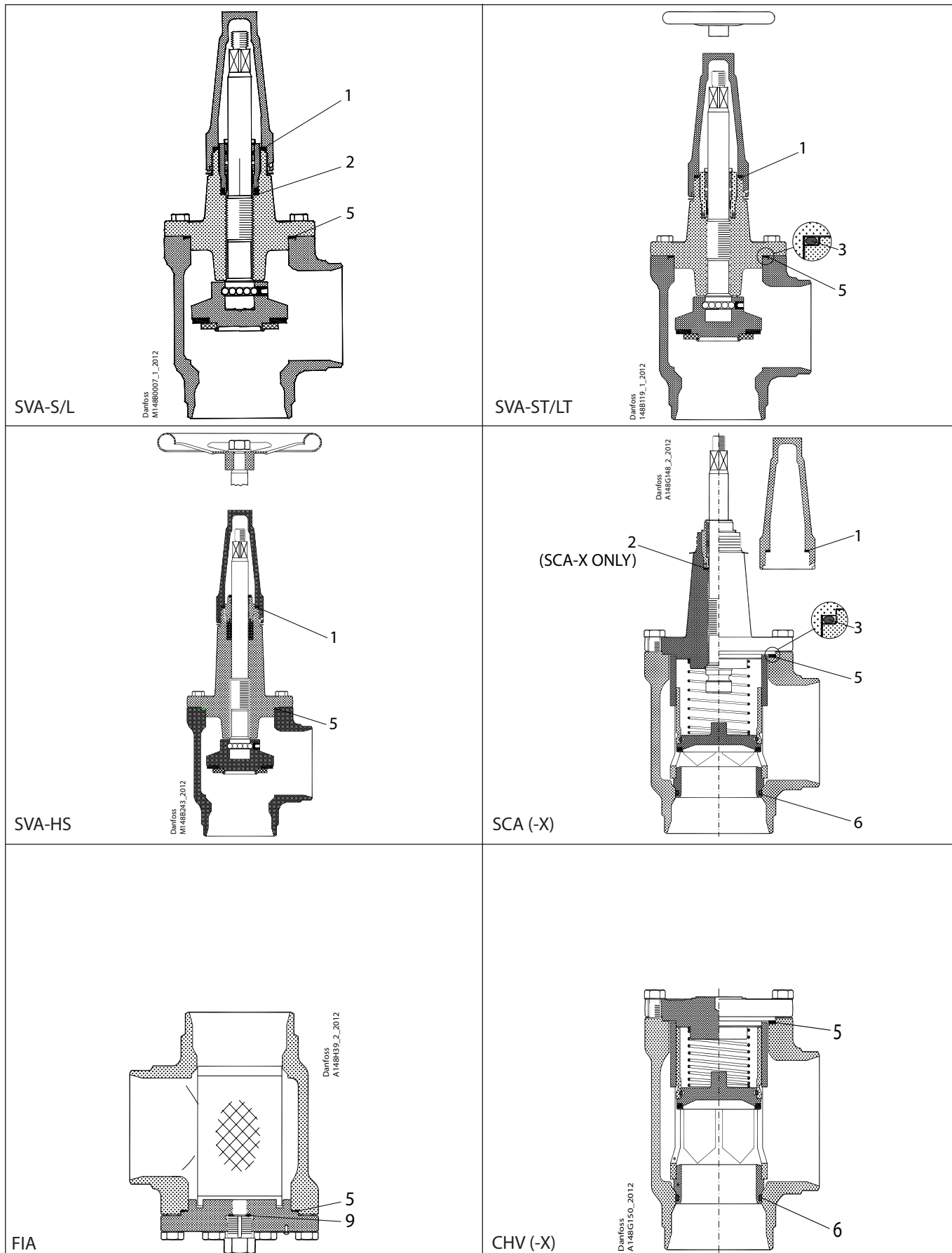
Inspection kit | Code number 148B6056
SVA-S/L, SVA-ST/LT, SVA-HS, SCA/X, FIA, CHV/X size 100

<p>SVA-S/L</p>	<p>SVA-ST/LT</p>
<p>SVA-HS</p>	<p>SCA (-X)</p>
<p>FIA</p>	<p>CHV (-X)</p>

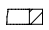
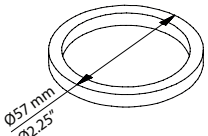
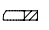
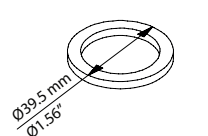
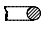
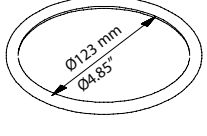
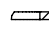
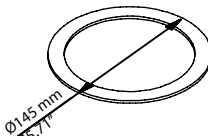
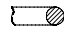
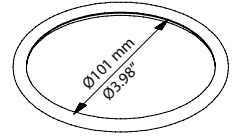
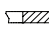
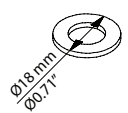
Inspection kit | Code number 148B6056
SVA-S/L, SVA-ST/LT, SVA-HS, SCA/X, FIA, CHV/X size 100

<p>1</p> <p> = Nylon</p>  <p>Ø45 mm Ø38 mm</p> <p>Total no. = 1</p>	<p>2</p> <p> = Alu.</p>  <p>Ø31.5 mm Ø24 mm</p> <p>Total no. = 1</p>	<p>3</p> <p></p>  <p>Ø101 mm Ø98 mm</p> <p>Total no. = 1</p>	<p>5</p> <p> = Fibre</p>  <p>Ø119 mm Ø69 mm</p> <p>Total no. = 1</p>	<p>6</p> <p></p>  <p>Ø82 mm Ø73 mm</p> <p>Total no. = 1</p>
<p>9</p> <p> = Alu.</p>  <p>Ø18 mm Ø7 mm</p> <p>Total no. = 1</p>				

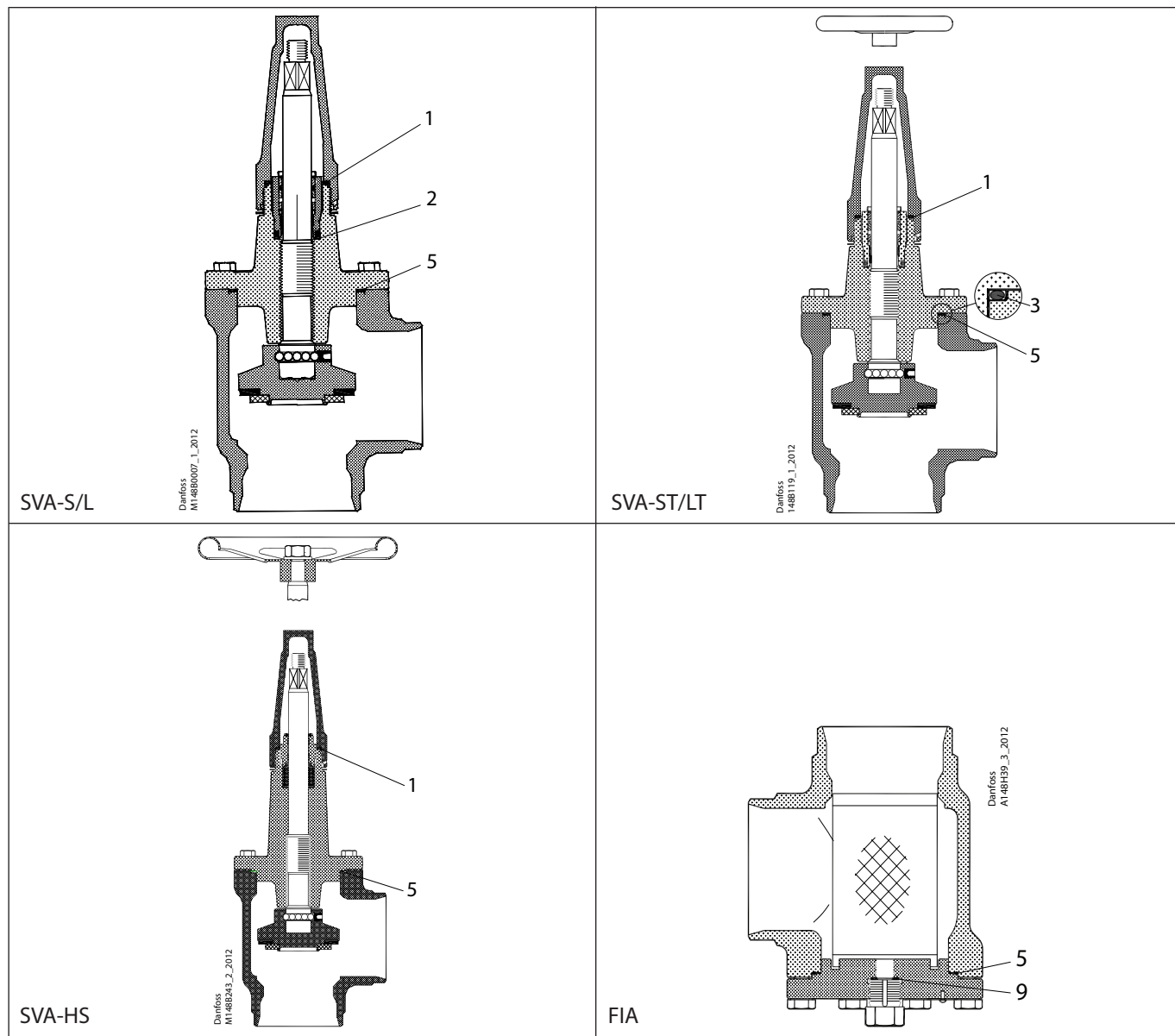
Inspection kit | Code number 148B6057
 SVA-S/L, SVA-ST/LT, SVA-HS, SCA/X, FIA, CHV/X size 125



Inspection kit | Code number 148B6057
SVA-S/L, SVA-ST/LT, SVA-HS, SCA/X, FIA, CHV/X size 125

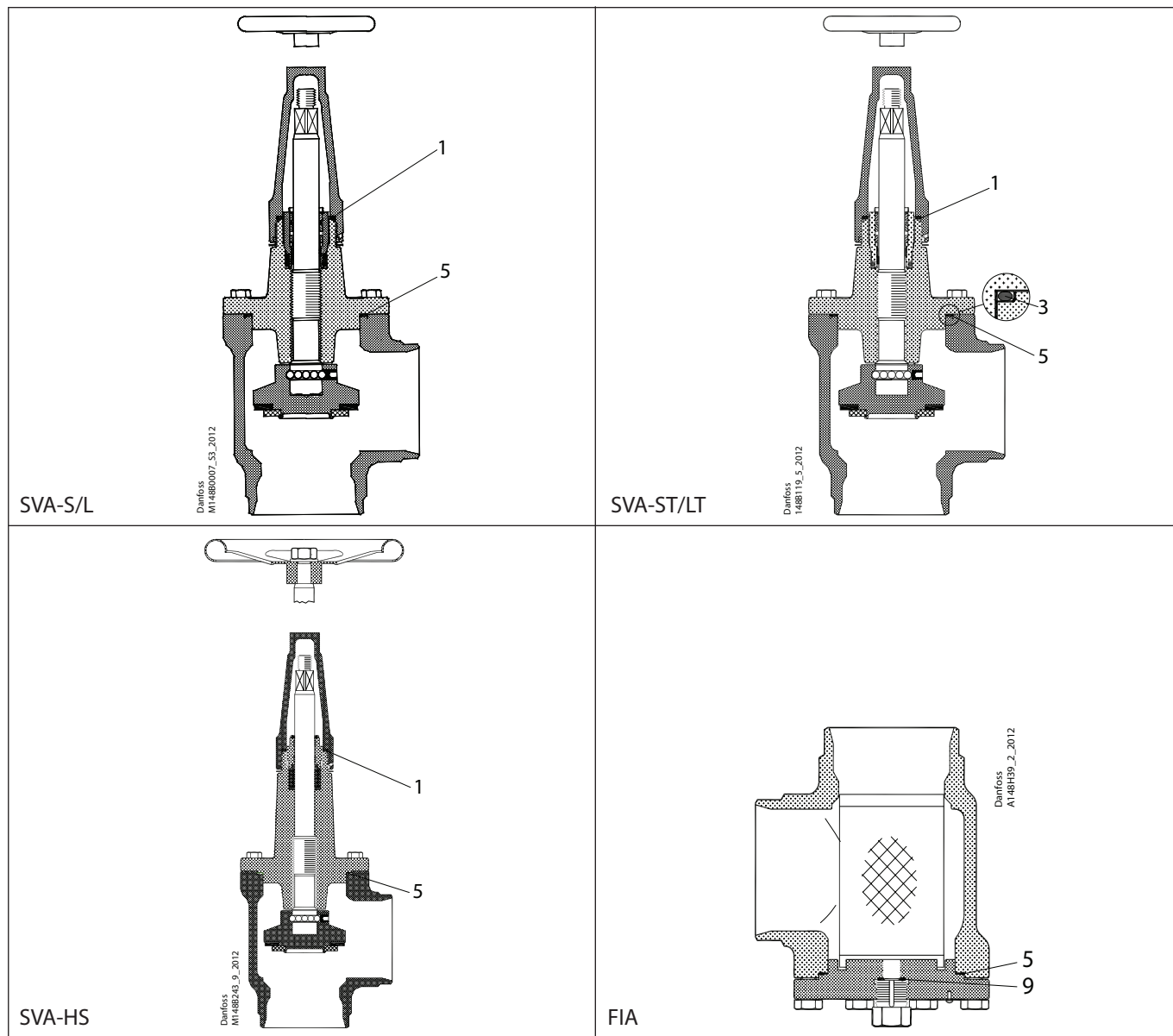
<p>1</p> <p> = Nylon</p>  <p>Total no. = 1</p>	<p>2</p> <p> = Alu.</p>  <p>Total no. = 1</p>	<p>3</p>   <p>Total no. = 1</p>	<p>5</p> <p> = Fibre</p>  <p>Total no. = 1</p>	<p>6</p>   <p>Total no. = 1</p>
<p>9</p> <p> = Alu.</p>  <p>Total no. = 1</p>				

Inspection kit | Code number 148B6058
SVA-S/L, SVA-ST/LT, SVA-HS, FIA size 150



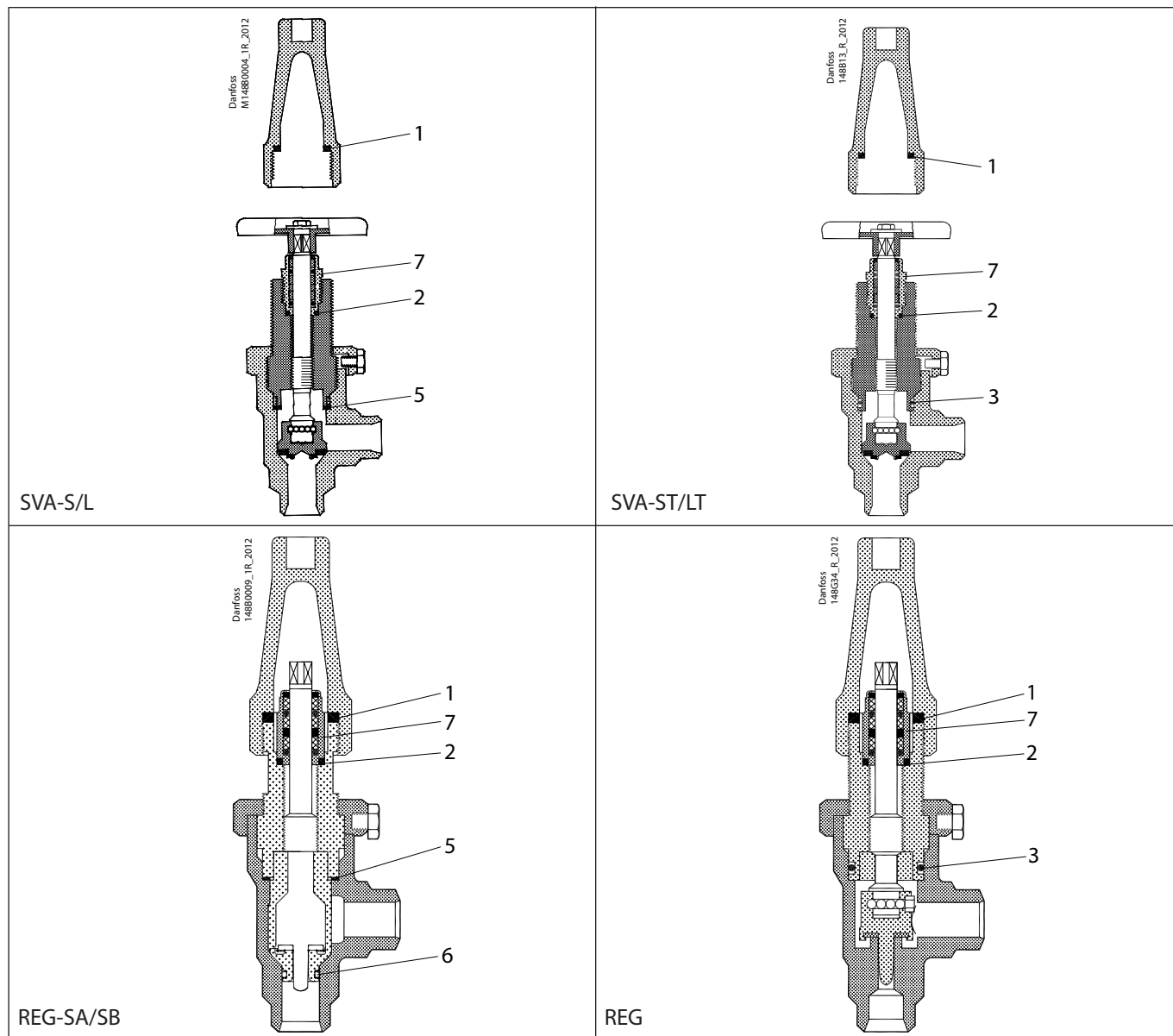
<p>1 = Nylon</p> <p>Total no. = 1</p>	<p>2 = Alu.</p> <p>Total no. = 1</p>	<p>3 = Alu.</p> <p>Total no. = 1</p>	<p>5 = Fibre</p> <p>Total no. = 1</p>	<p>9 = Alu.</p> <p>Total no. = 1</p>
-----------------------------------------------	----------------------------------------------	----------------------------------------------	-----------------------------------------------	----------------------------------------------

Inspection kit | Code number 148B6059
SVA-S/L, SVA-ST/LT, SVA-HS, FIA size 200



<p>1 = Nylon</p> <p>Total no. = 1</p>	<p>3 </p> <p>Total no. = 1</p>	<p>5 = Fibre</p> <p>Total no. = 1</p>	<p>9 = Alu.</p> <p>Total no. = 1</p>	
-----------------------------------------------	---------------------------------------	-----------------------------------------------	----------------------------------------------	--

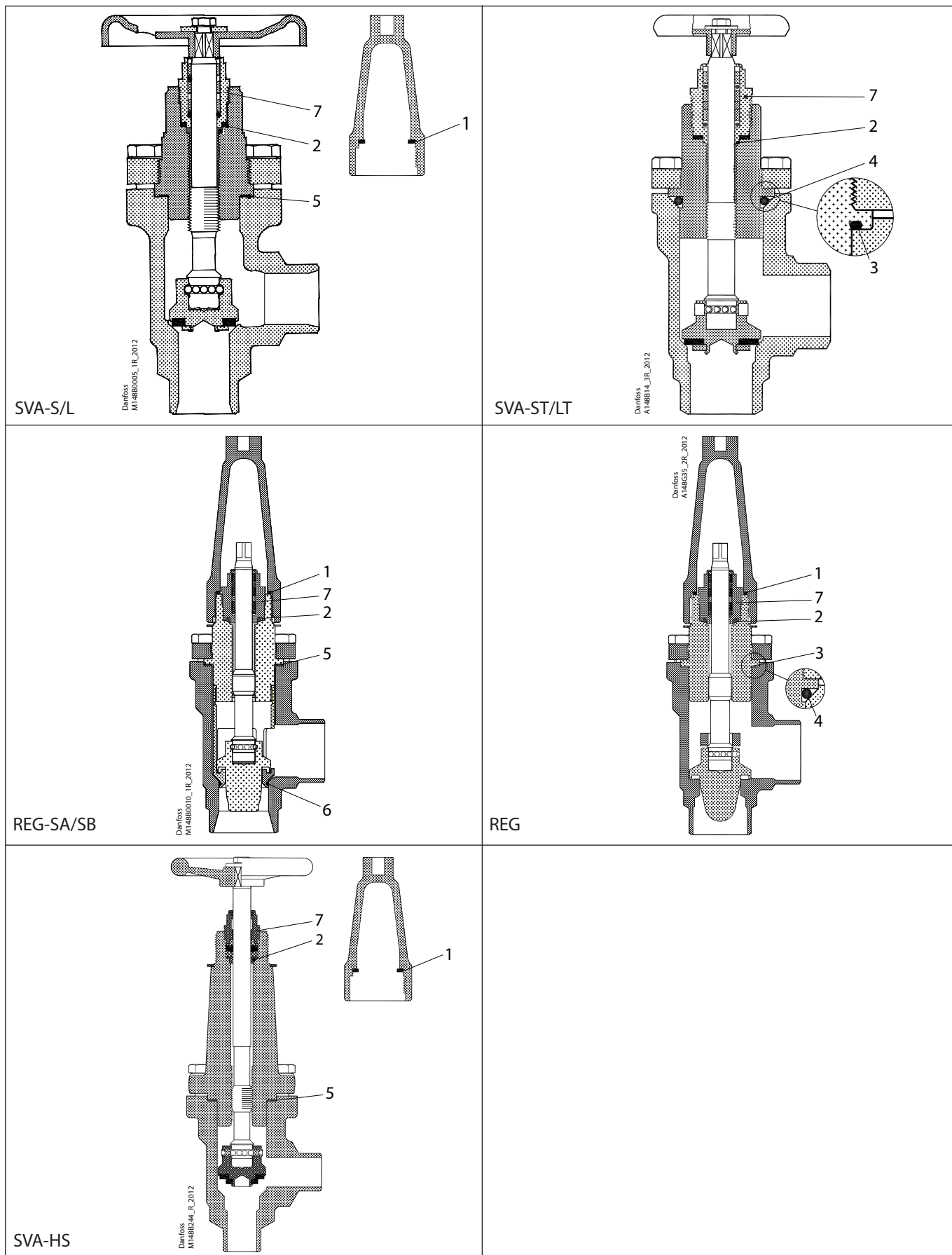
Repair kit | Code number 148B6060
SVA-S/L, SVA-ST/LT sizes 6 to 10, REG-SA/SB, REG size 10



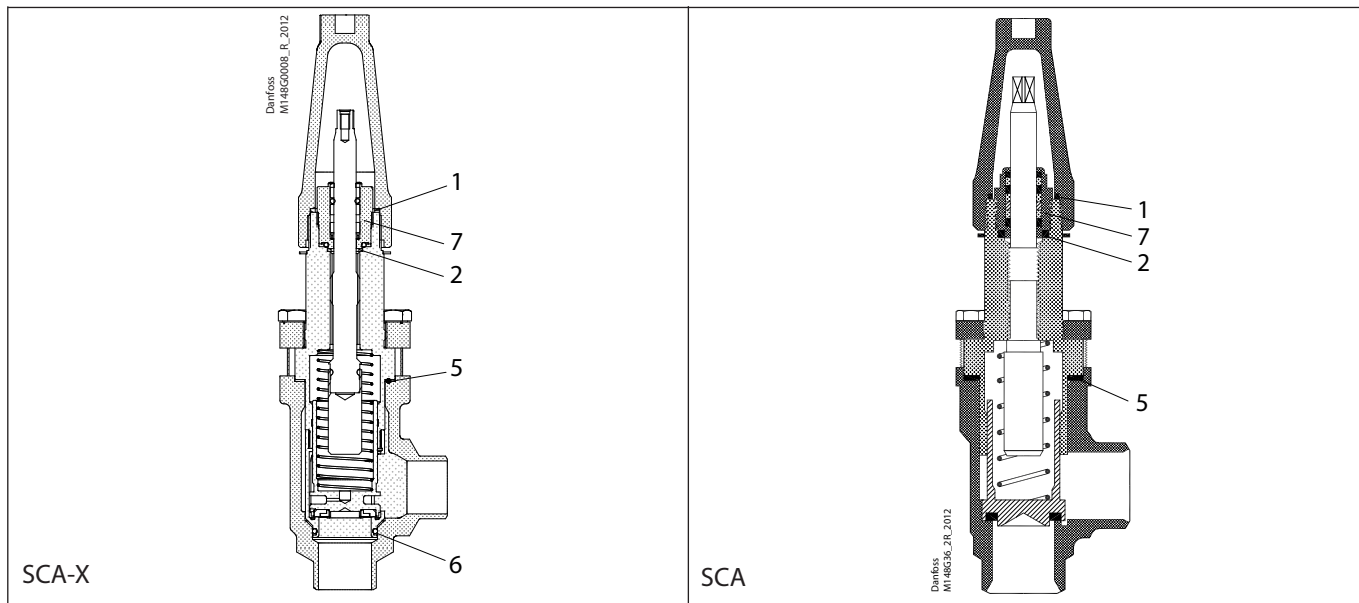
<p>1</p> <p> = Nylon</p> <p>Ø21 mm Ø0.87"</p> <p>Total no. = 1</p>	<p>2</p> <p> = Alu.</p> <p>Ø14 mm Ø0.55"</p> <p>Total no. = 1</p>	<p>3</p> <p>Ø17 mm Ø0.67"</p> <p>Total no. = 1</p>	<p>5</p> <p> = Alu.</p> <p>Ø22 mm Ø0.87"</p> <p>Total no. = 1</p>	<p>6</p> <p>Ø8 mm Ø0.44"</p> <p>Total no. = 1</p>
<p>7</p> <p>Ø14 mm Ø0.55"</p> <p>Total no. = 1</p>				

NOTE: When replacing the packing gland (pos. 7) in SVA-ST, SVA-S/L, SVA-HS or REG the aluminium gasket (pos. 2) is needed.

Repair kit | Code number 148B6061
SVA-S/L, SVA-ST/LT, REG-SA/SB, REG, SVA-HS, SCA/X sizes 15 - 20



Repair kit | Code number 148B6061
SVA-S/L, SVA-ST/LT, REG-SA/SB, REG, SVA-HS, SCA/X sizes 15 - 20

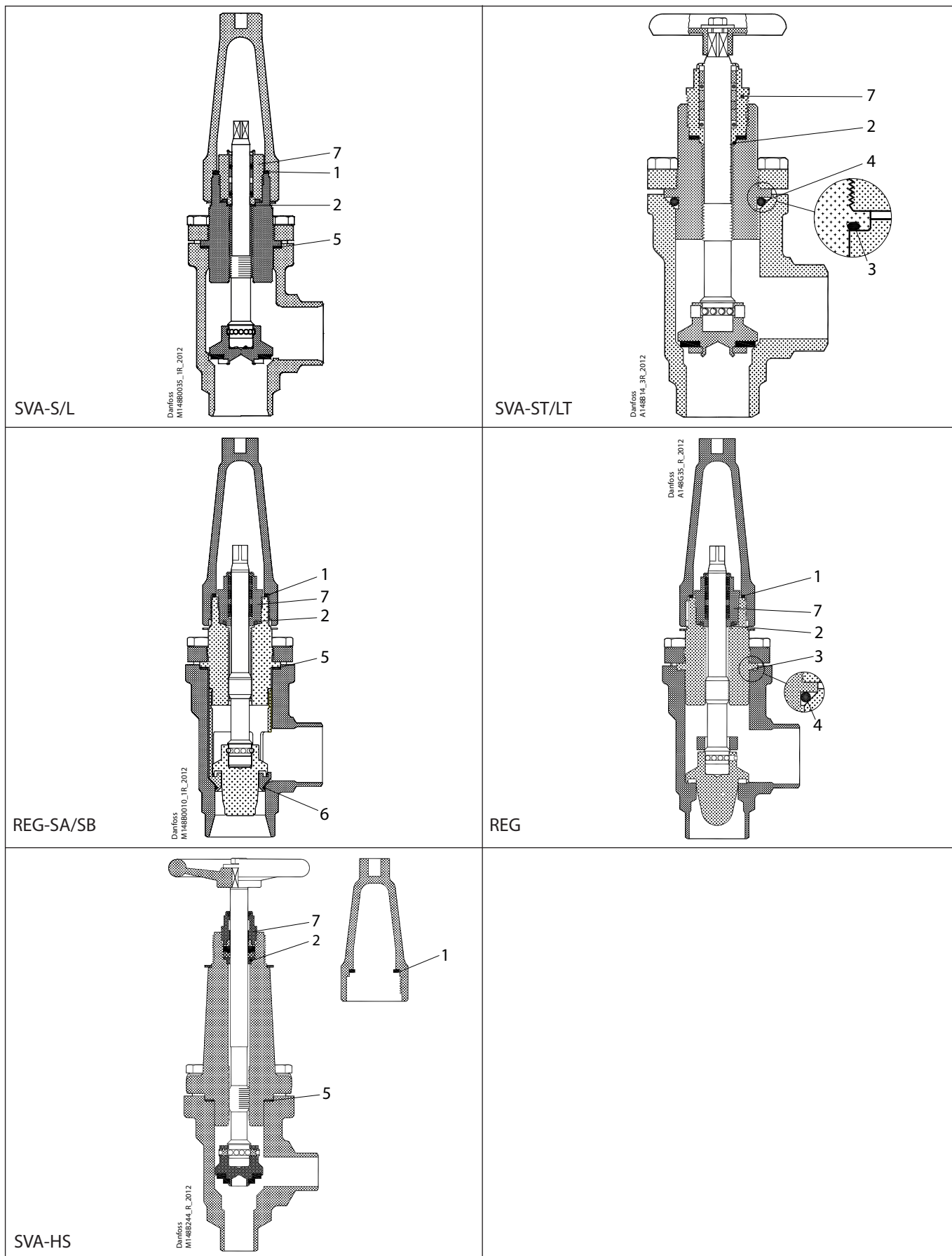


<p>1 = Nylon</p> <p>Total no. = 1</p>	<p>2 = Alu.</p> <p>Total no. = 1</p>	<p>3 </p> <p>Total no. = 1</p>	<p>4 </p> <p>Total no. = 1</p>	<p>5 = Fibre</p> <p>Total no. = 1</p>
<p>6 </p> <p>Total no. = 1</p>	<p>7 </p> <p>Total no. = 1</p>			

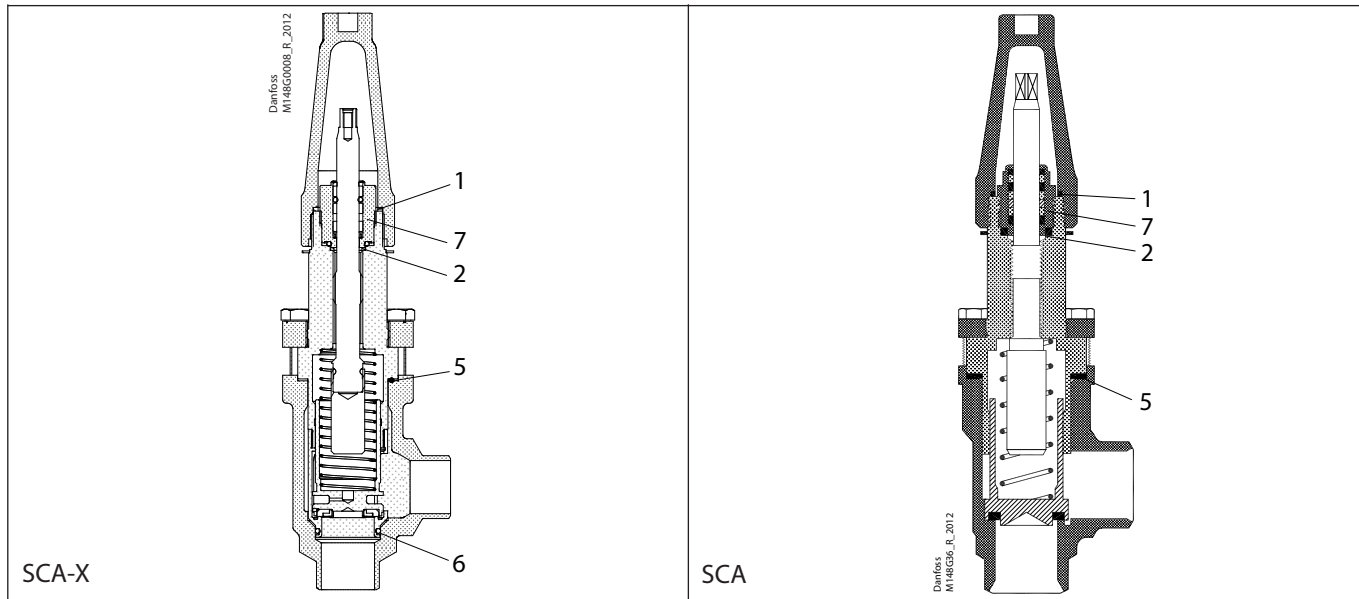
NOTE:

When replacing the packing gland (pos. 7) in SVA-ST, SVA-S/L, SVA-HS, REG-SA/SB, REG, SCA or SCA-X the aluminium gasket (pos. 2) is needed.

Repair kit | Code number 148B6062
SVA-S/L, SVA-ST/LT, REG-SA/SB, REG, SVA-HS, SCA/X sizes 25-40



Repair kit | Code number 148B6062
SVA-S/L, SVA-ST/LT, REG-SA/SB, REG, SVA-HS, SCA/X sizes 25-40

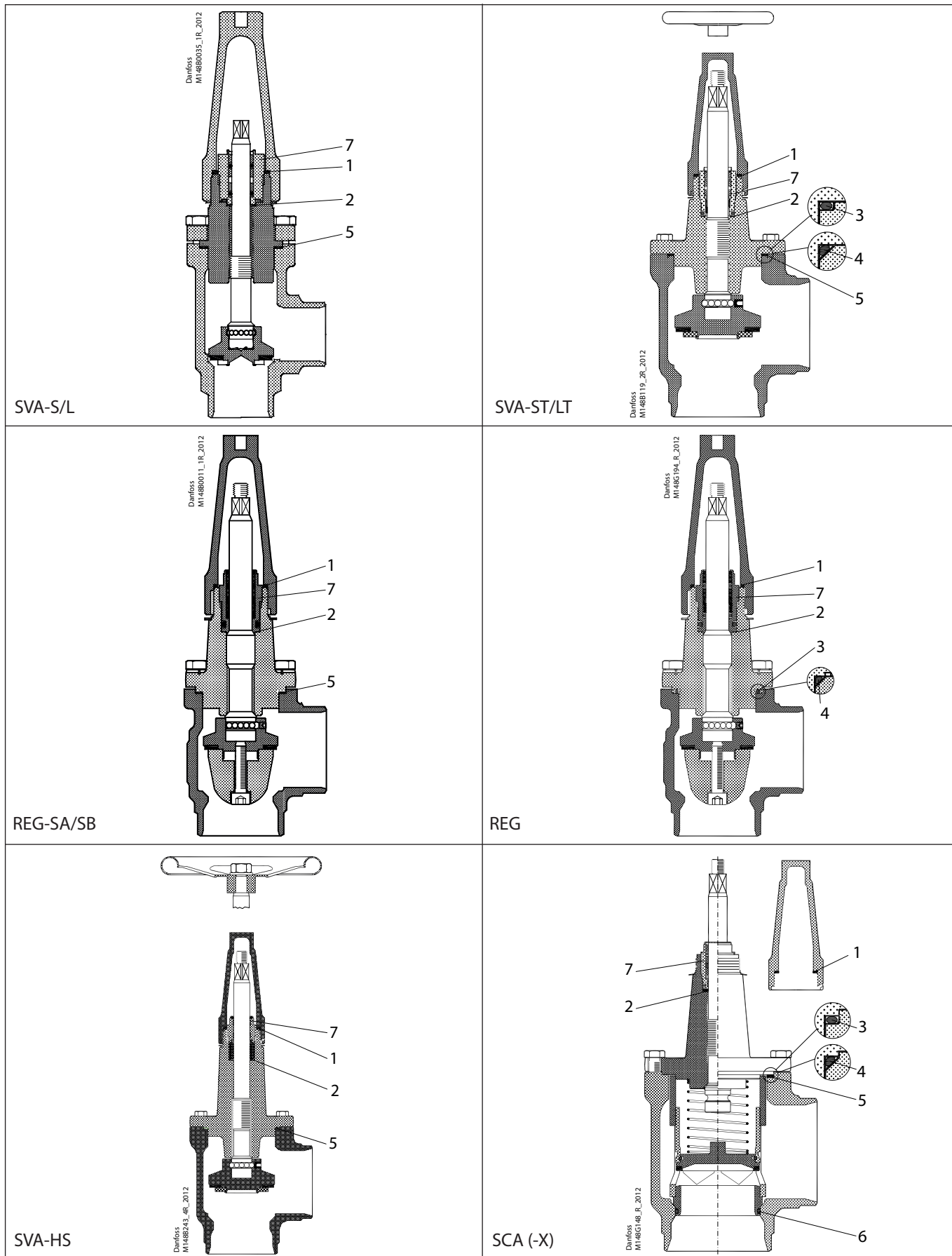


<p>1 = Nylon</p> <p>Total no. = 1</p>	<p>2 = Alu.</p> <p>Total no. = 1</p>	<p>3 </p> <p>Total no. = 1</p>	<p>4 </p> <p>Total no. = 1</p>	<p>5 = Fibre</p> <p>Total no. = 1</p>
<p>6 </p> <p>Total no. = 1</p>	<p>7 </p> <p>Ø28 mm / Ø1.1\"/> <p>Total no. = 1</p> </p>	<p>8* </p> <p>Total no. = 1</p>		

NOTE:

When replacing the packing gland (pos. 7) in SVA-ST, SVA-S/L, SVA-HS, REG, REG-SA/SB, SCA or SCA-X the aluminium gasket (pos. 2) is needed.

Repair kit | Code number 148B6063
SVA-S/L, SVA-ST/LT, REG-SA/SB, REG, SVA-HS, SCA/X size 50



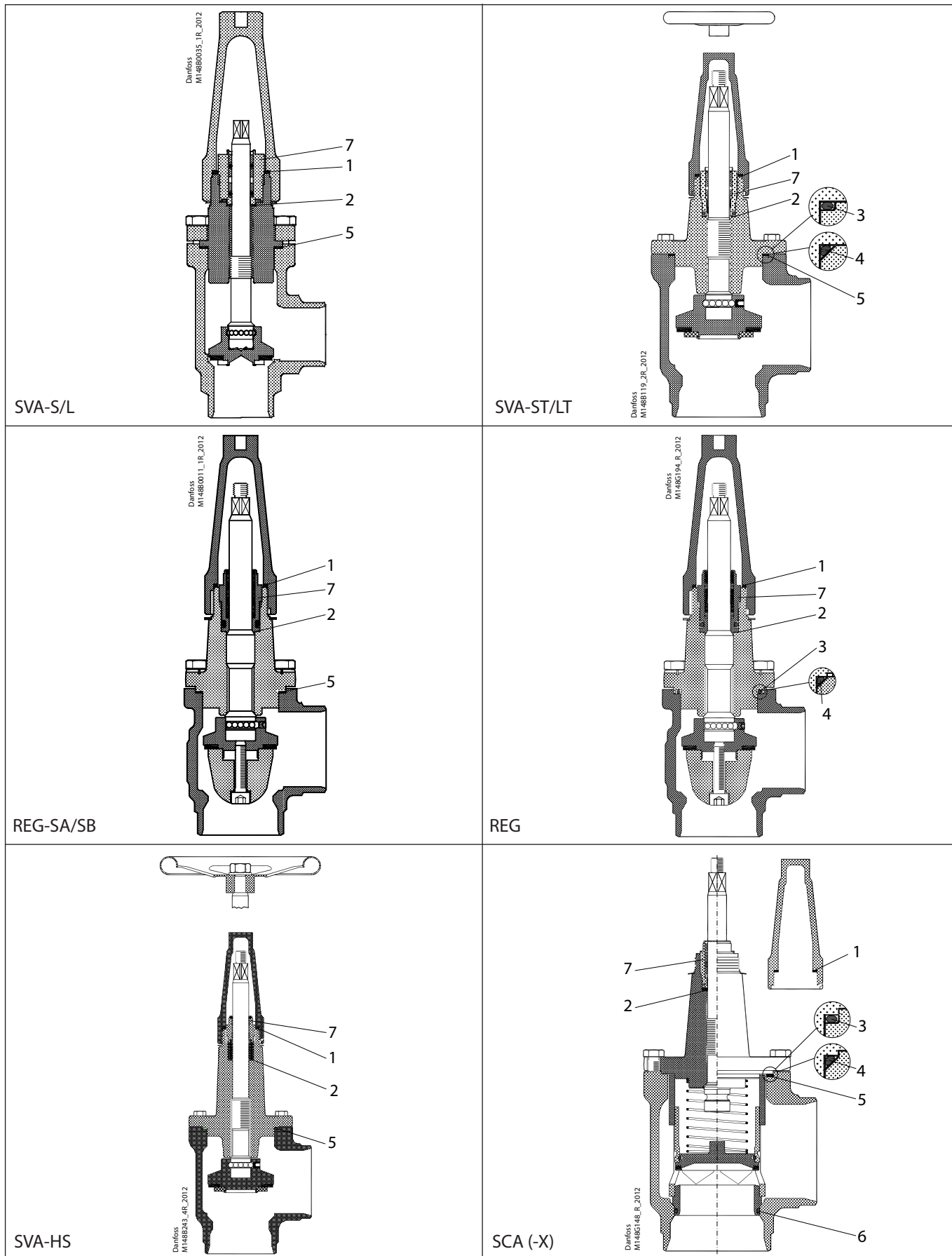
Repair kit | Code number 148B6063
SVA-S/L, SVA-ST/LT, REG-SA/SB, REG, SVA-HS, SCA/X size 50

<p>1</p> <p> = Nylon</p> <p>Total no. = 1</p>	<p>2</p> <p> = Alu.</p> <p>Total no. = 1</p>	<p>3</p> <p>Total no. = 1</p>	<p>4</p> <p>Total no. = 1</p>	<p>5</p> <p> = Fibre</p> <p>Total no. = 1</p>
<p>6</p> <p>Total no. = 1</p>	<p>7</p> <p>Total no. = 1</p>			

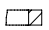
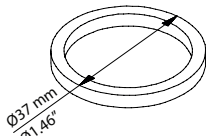
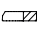
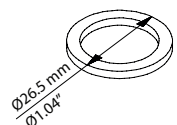

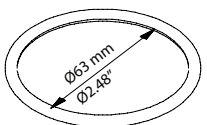
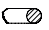
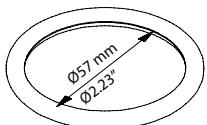
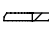
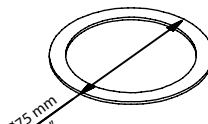

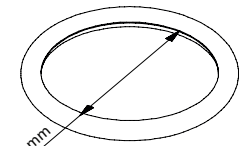
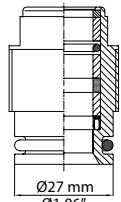
NOTE:

When replacing the packing gland (pos. 7) in SVA-ST, SVA-S/L, SVA-HS, REG-SA/B, REG, SCA-X and SCA the aluminium gasket (pos. 2) is needed.

Repair kit | Code number 148B6064
SVA-S/L, SVA-ST/LT, REG-SA/SB, REG, SVA-HS, SCA/X, size 65



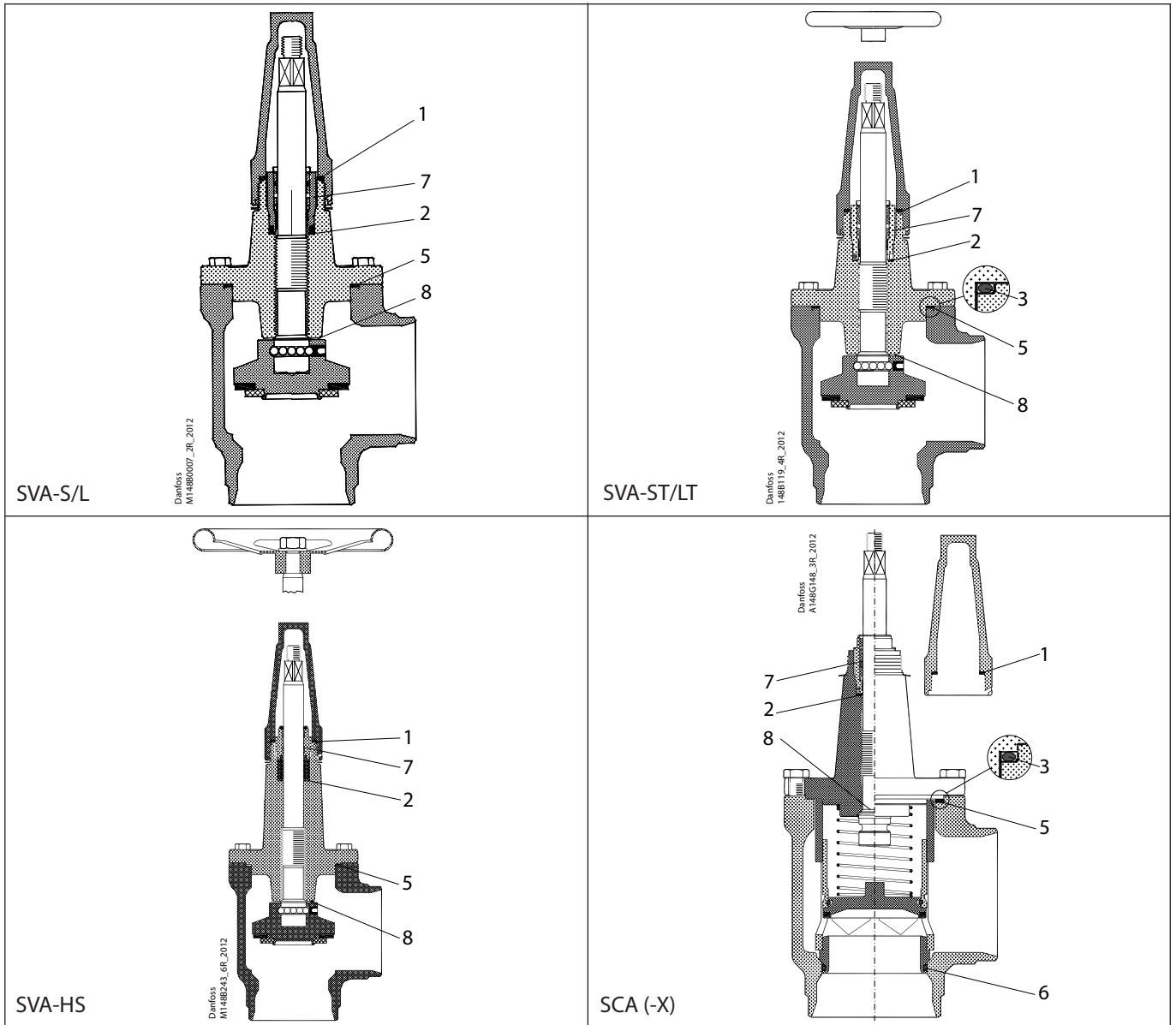
Repair kit | Code number 148B6064
SVA-S/L, SVA-ST/LT, REG-SA/SB, REG, SVA-HS, SCA/X, size 65

<p>1</p> <p> = Nylon</p>  <p>Total no. = 1</p>	<p>2</p> <p> = Alu.</p>  <p>Total no. = 1</p>	<p>3</p>   <p>Total no. = 1</p>	<p>4</p>   <p>Total no. = 1</p>	<p>5</p> <p> = Fibre</p>  <p>Total no. = 1</p>
<p>6</p>   <p>Total no. = 1</p>	<p>7</p>  <p>Total no. = 1</p>			

NOTE:

When replacing the packing gland (pos. 7) in SVA-ST, SVA-S/L, SVA-HS, REG-SA/B, REG, SCA-X and SCA the aluminium gasket (pos. 2) is needed.

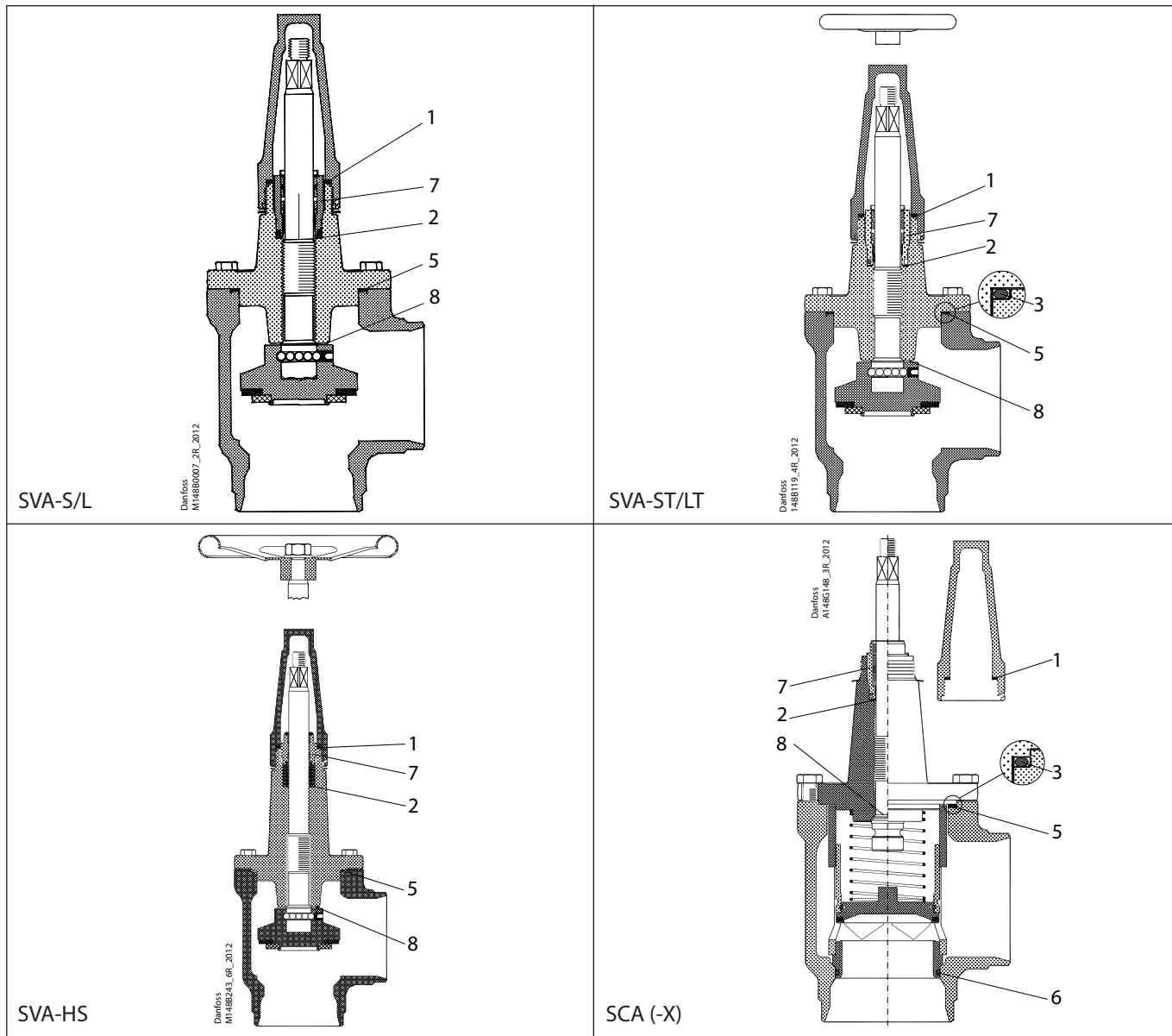
Repair kit | Code number 148B6065
SVA-S/L, SVA-ST/LT, SVA-HS, SCA/X size 80



<p>1</p> <p> = Nylon</p> <p>Total no. = 1</p>	<p>2</p> <p> = Alu.</p> <p>Total no. = 1</p>	<p>3</p> <p>Total no. = 1</p>	<p>5</p> <p> = Fibre</p> <p>Total no. = 1</p>	<p>6</p> <p>Total no. = 1</p>
<p>7</p> <p>Total no. = 1</p>	<p>8</p> <p> = PTFE</p> <p>Total no. = 1</p>			

NOTE: When replacing the packing gland (pos. 7) in SVA-ST, SVA-S/L, SVA-HS, SCA-X and SCA the aluminium gasket (pos. 2) is needed.

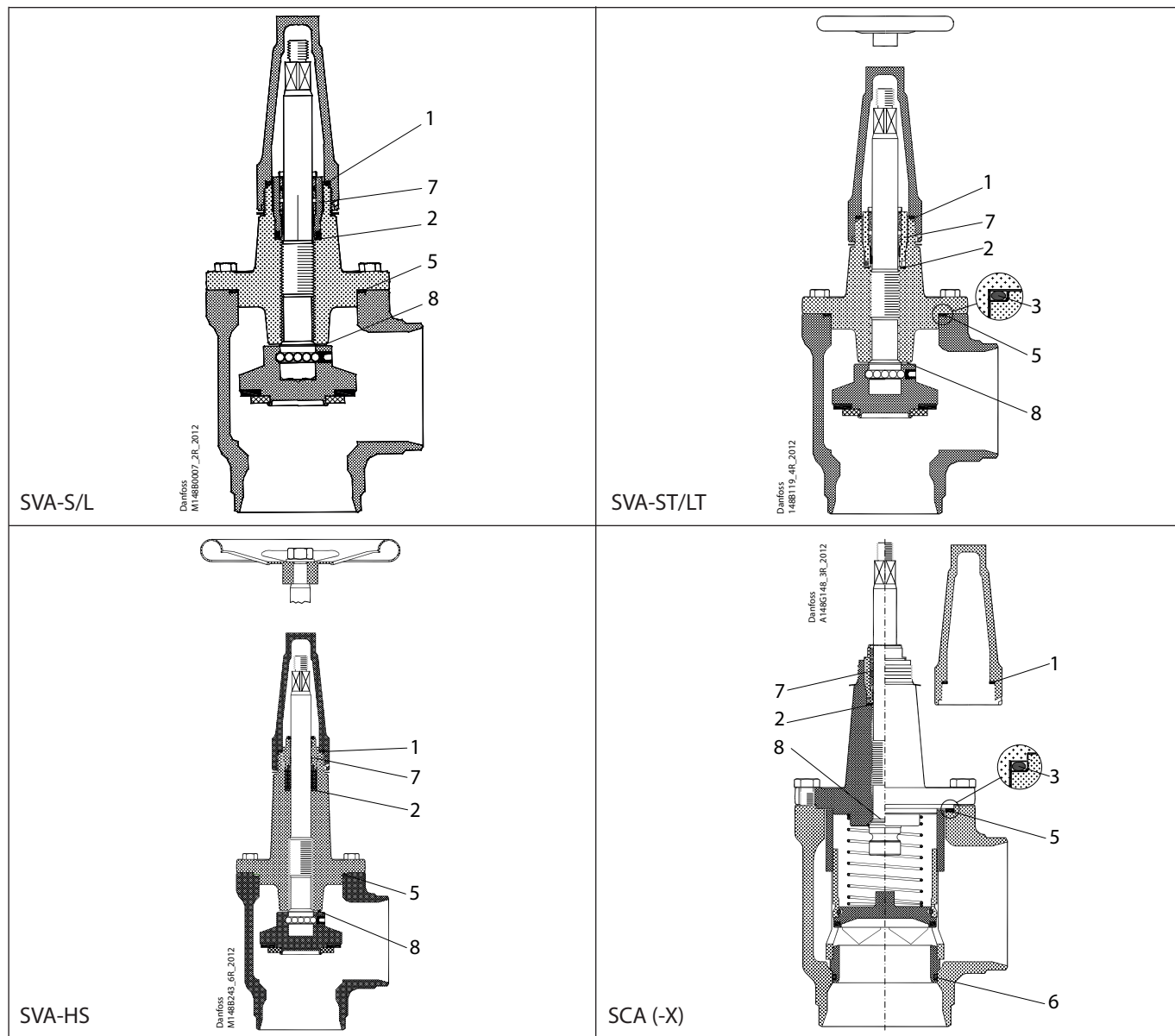
Repair kit | Code number 148B6066
SVA-S/L, SVA-ST/LT, SVA-HS, SCA/X size 100



<p>1</p> <p> = Nylon</p> <p>Total no. = 1</p>	<p>2</p> <p> = Alu.</p> <p>Total no. = 1</p>	<p>3</p> <p>Total no. = 1</p>	<p>5</p> <p> = Fibre</p> <p>Total no. = 1</p>	<p>6</p> <p>Total no. = 1</p>
<p>7</p> <p>Total no. = 1</p>	<p>8</p> <p> = PTFE</p> <p>Total no. = 1</p>			

NOTE: When replacing the packing gland (pos. 7) in SVA-ST, SVA-S/L, SVA-HS, SCA-X and SCA the aluminium gasket (pos. 2) is needed.

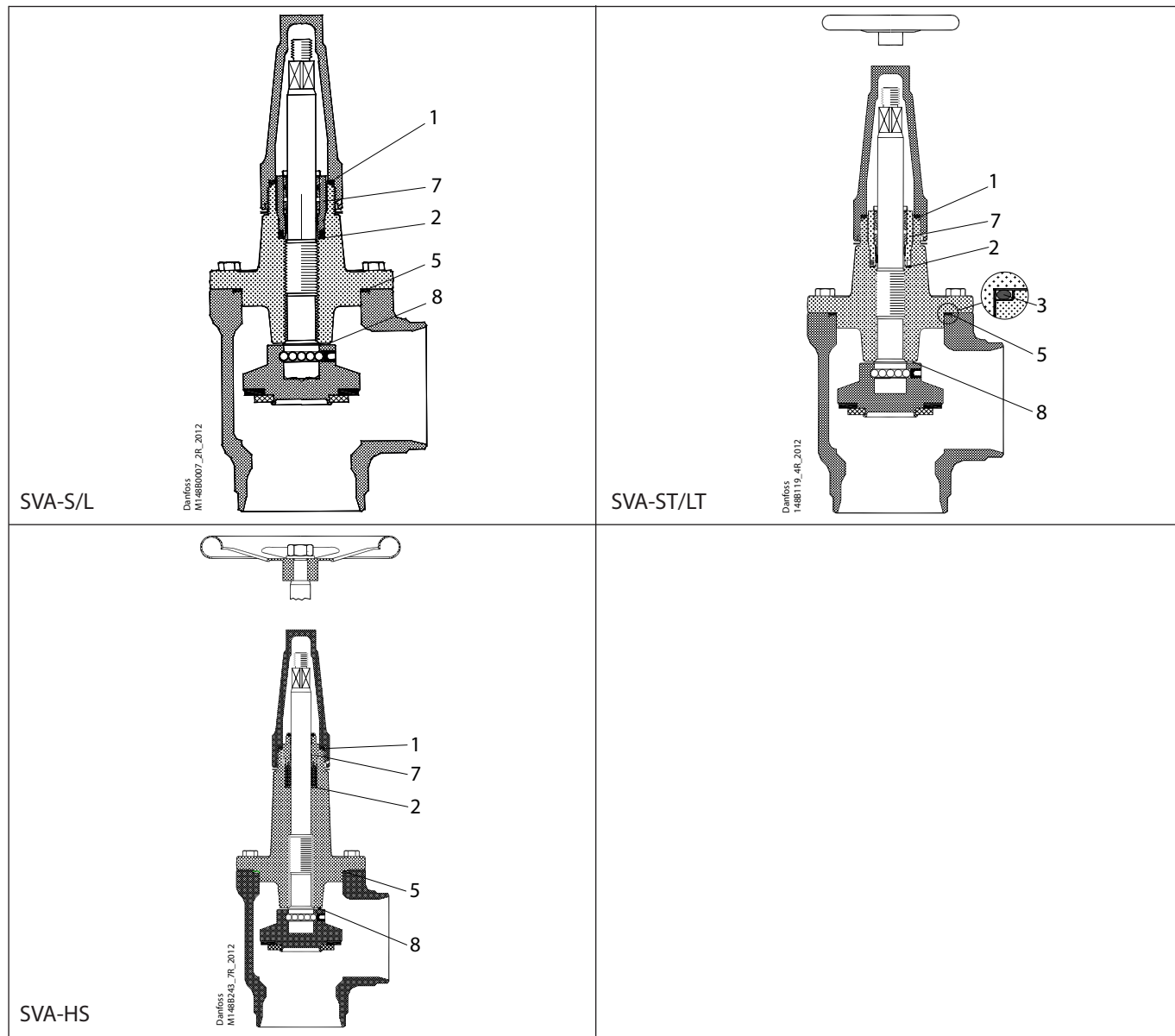
Repair kit | Code number 148B6067
SVA-S/L, SVA-ST/LT, SVA-HS, SCA/X size 125



<p>1</p> <p> = Nylon</p> <p>Total no. = 1</p>	<p>2</p> <p> = Alu.</p> <p>Total no. = 1</p>	<p>3</p> <p>Total no. = 1</p>	<p>5</p> <p> = Fibre</p> <p>Total no. = 1</p>	<p>6</p> <p>Total no. = 1</p>
<p>7</p> <p>Total no. = 1</p>	<p>8</p> <p> = PTFE</p> <p>Total no. = 1</p>			

NOTE: When replacing the packing gland (pos. 7) in SVA-ST, SVA-S/L, SVA-HS, SCA-X and SCA the aluminium gasket (pos. 2) is needed.

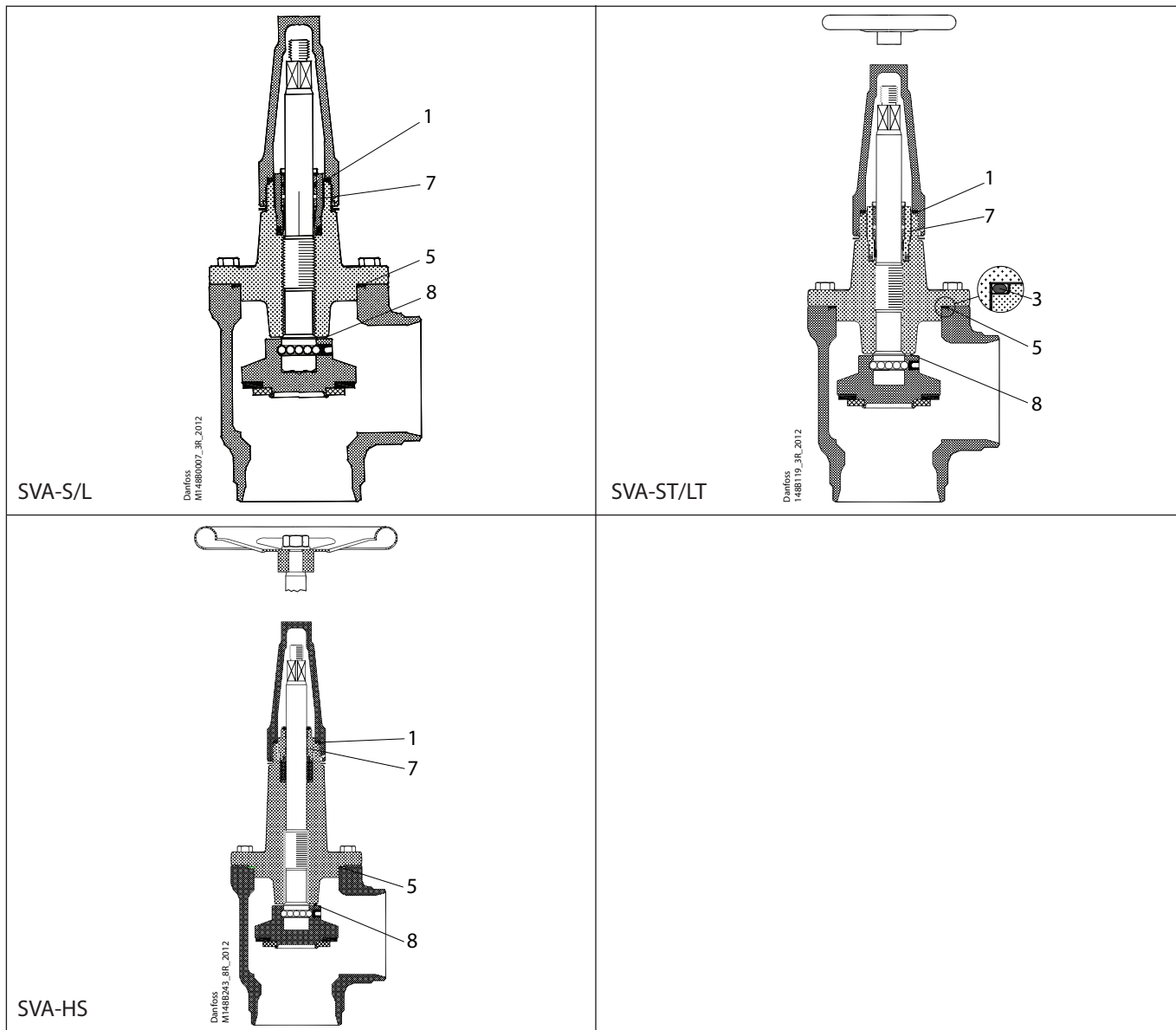
Repair kit | Code number 148B6068
SVA-S/L, SVA-ST/LT, SVA-HS size 150



<p>1</p> <p> = Nylon</p> <p>Ø57 mm Ø25 mm</p> <p>Total no. = 1</p>	<p>2</p> <p> = Alu.</p> <p>Ø39.5 mm Ø15.6 mm</p> <p>Total no. = 1</p>	<p>3</p> <p>Ø148 mm Ø85 mm</p> <p>Total no. = 1</p>	<p>5</p> <p> = Fibre</p> <p>Ø170 mm Ø6.7 mm</p> <p>Total no. = 1</p>	<p>7</p> <p>Ø40 mm Ø1.57"</p> <p>Total no. = 1</p>
<p>8</p> <p> = PTFE</p> <p>Ø40 mm Ø1.57"</p> <p>Total no. = 1</p>				

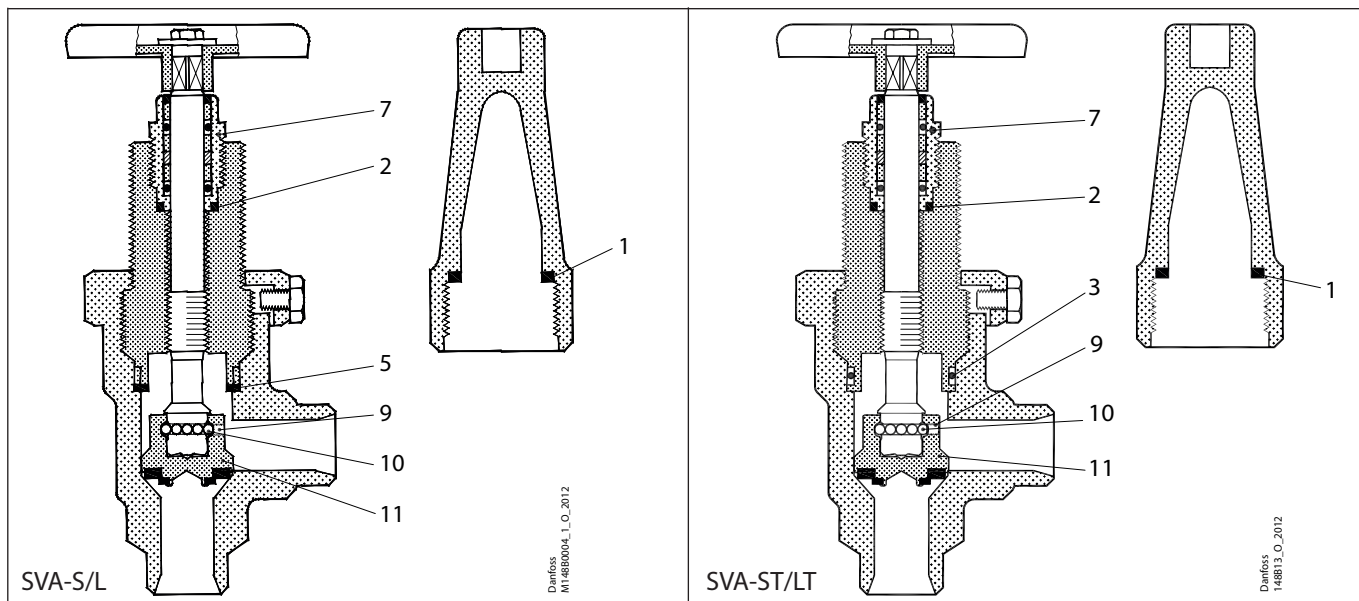
NOTE: When replacing the packing gland (pos. 7) in SVA-ST, SVA-S/L or SVA-HS the aluminium gasket (pos. 2) is needed.

Repair kit | Code number 148B6473
Shut-off valves, SVA-S/L, SVA-ST/LT, SVA-HS size 200



<p>1</p> <p> = Nylon</p> <p></p> <p>Total no. = 1</p>	<p>3</p> <p></p> <p></p> <p>Total no. = 1</p>	<p>5</p> <p> = Fibre</p> <p></p> <p>Total no. = 1</p>	<p>7</p> <p></p> <p></p> <p>Total no. = 1</p>	<p>8</p> <p> = PTFE</p> <p></p> <p>Total no. = 1</p>
<p>9</p> <p></p> <p>Total no. = 1</p>	<p>10</p> <p></p> <p>Total no. = 1</p>			

Overhaul kit | Code number 148B6150
SVA-S/L, SVA-ST/LT Sizes 6 to 10

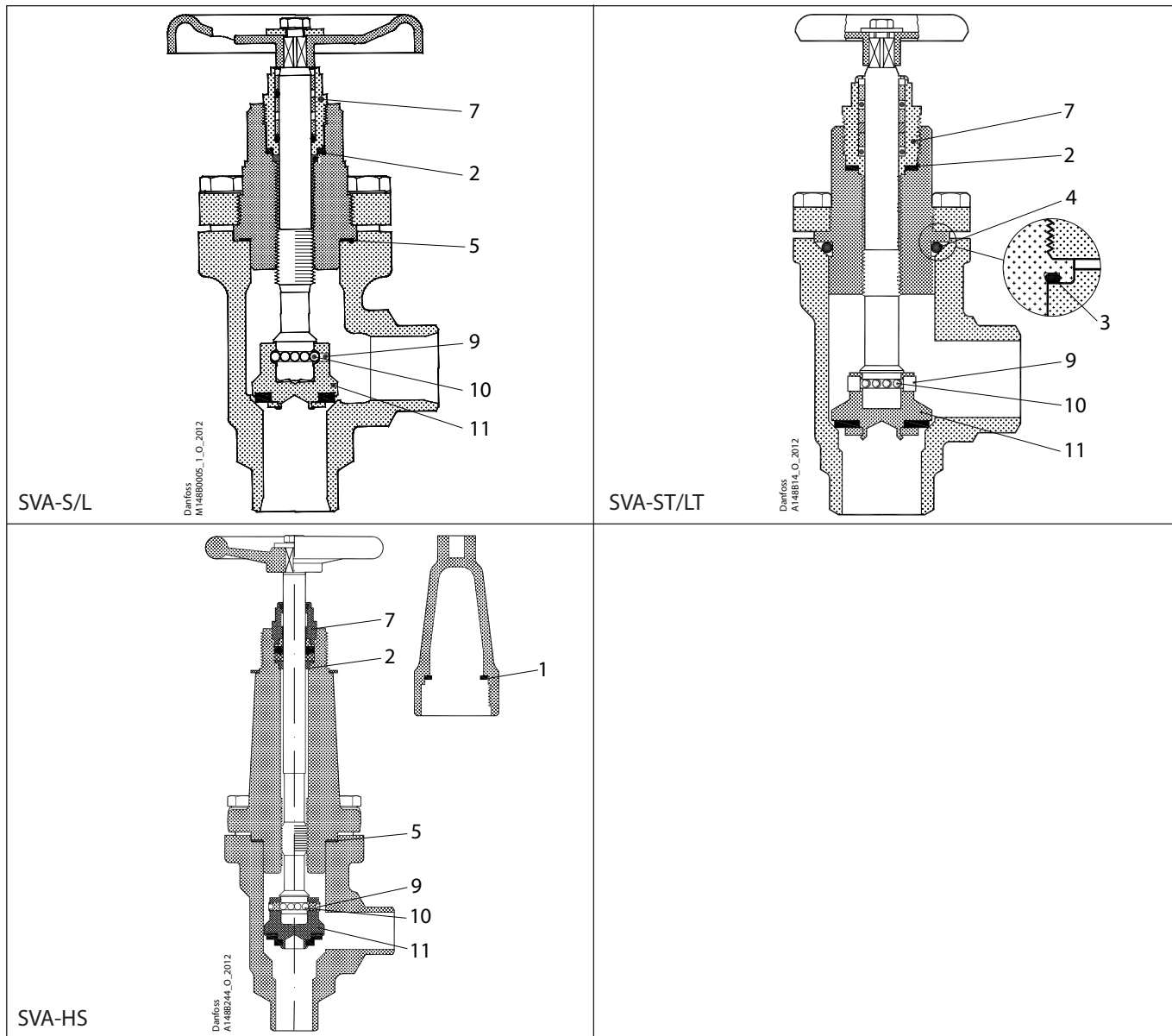


<p>1 = Nylon</p> <p>Total no. = 1</p>	<p>2 = Alu.</p> <p>Total no. = 1</p>	<p>3 </p> <p>Total no. = 1</p>	<p>5 = Alu.</p> <p>Total no. = 1</p>	<p>7 </p> <p>Total no. = 1</p>
<p>9 </p> <p>Total no. = 1</p>	<p>10 </p> <p>Total no. = 6</p>	<p>11 </p> <p>Total no. = 1</p>	<p>12 </p> <p>Total no. = 1</p>	

NOTE:

When replacing the packing gland (pos. 7) in SVA-S/L or SVA-ST/LT the aluminium gasket (pos. 2) is needed.

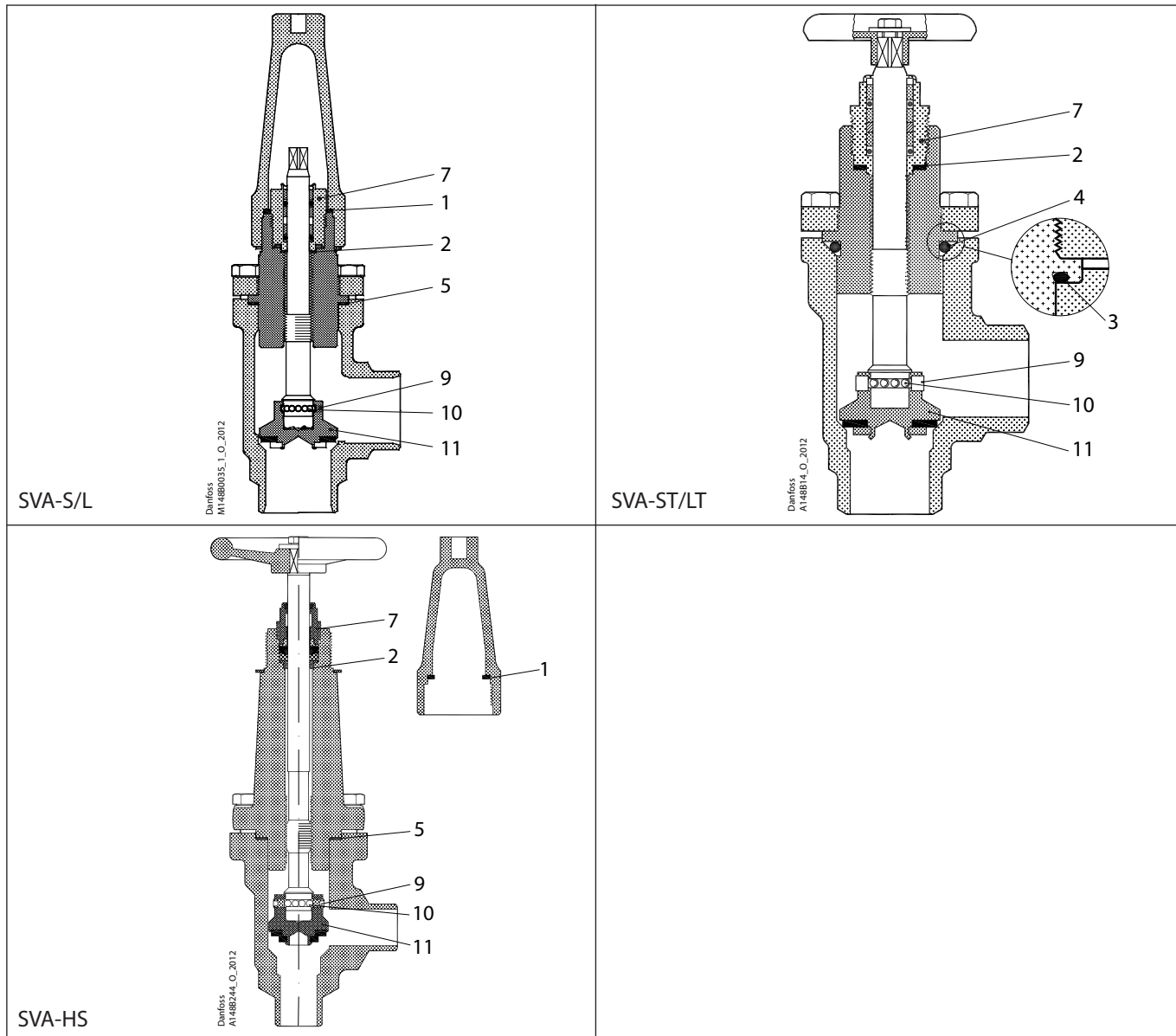
Overhaul kit | Code number 148B6151
SVA-S/L, SVA-ST/LT, SVA-HS sizes 15-20



<p>1</p> <p> = Nylon</p> <p>Ø28 mm Ø1.1"</p> <p>Total no. = 1</p>	<p>2</p> <p> = Alu.</p> <p>Ø18 mm Ø0.69"</p> <p>Total no. = 1</p>	<p>3</p> <p>Ø27 mm Ø1.06"</p> <p>Total no. = 1</p>	<p>4</p> <p>Ø23 mm Ø0.91"</p> <p>Total no. = 1</p>	<p>5</p> <p> = Fibre</p> <p>Ø39 mm Ø1.55"</p> <p>Total no. = 1</p>
<p>7</p> <p>LT</p> <p>Ø18 mm Ø0.71"</p> <p>Total no. = 1</p>	<p>9</p> <p>M4</p> <p>Total no. = 1</p>	<p>10</p> <p>Ø3 mm Ø0.118"</p> <p>Total no. = 10</p>	<p>11</p> <p>Ø25 mm Ø0.98"</p> <p>Total no. = 1</p>	<p>12</p> <p>Total no. = 1</p>

NOTE: When replacing the packing gland (pos. 7) in SVA-S/L, SVA-ST/LT or SVA-HS the aluminium gasket (pos. 2) is needed.

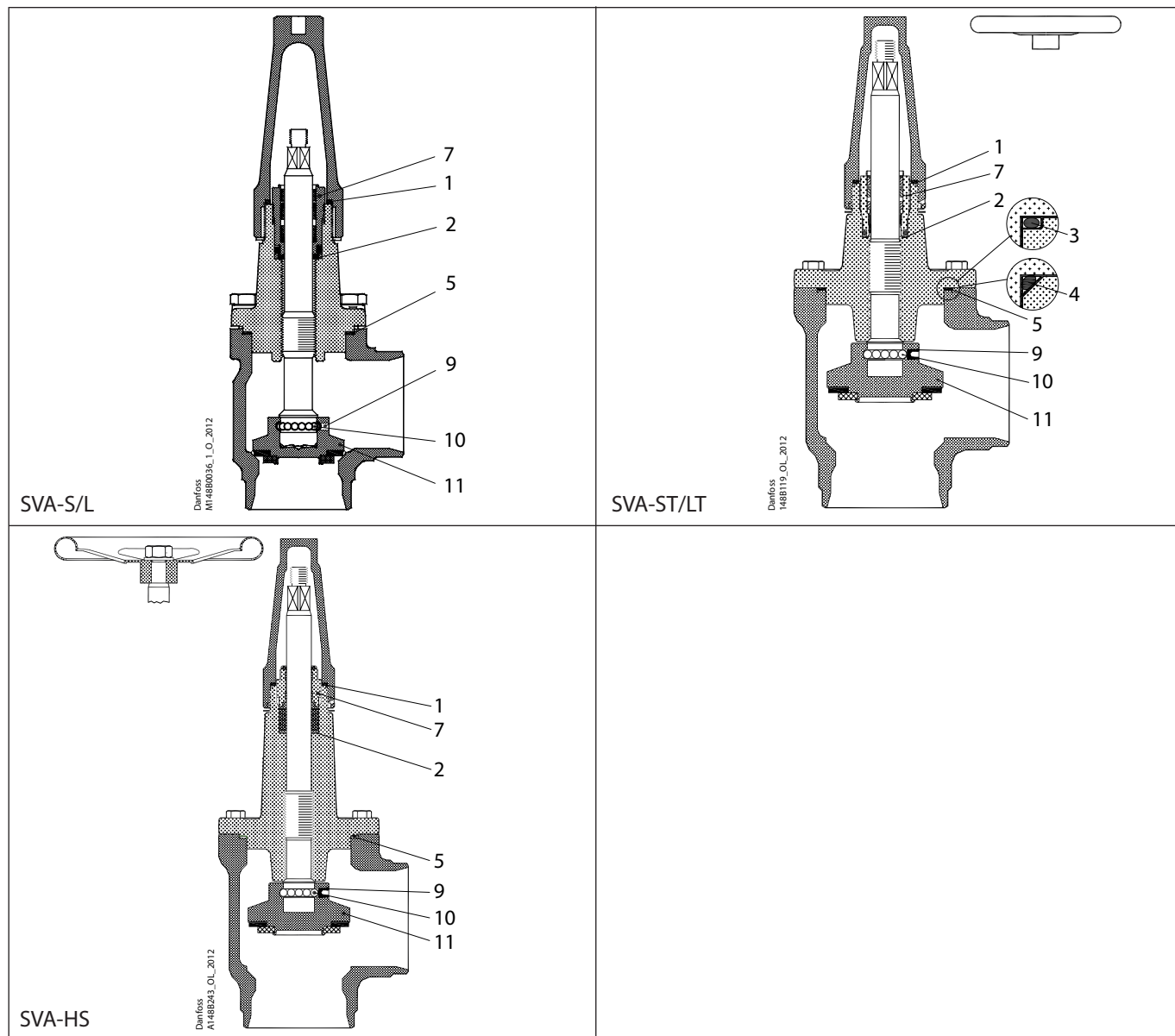
Overhaul kit | Code number 148B6152
SVA-S/L, SVA-ST/LT, SVA-HS, sizes 25-40



<p>1</p> <p>Ø37 mm Ø1.46"</p> <p>Total no. = 1</p>	<p>2</p> <p>Ø19 mm Ø0.75"</p> <p>Total no. = 1</p>	<p>3</p> <p>Ø31 mm Ø1.22"</p> <p>Ø41 mm Ø1.61"</p> <p>Total no. = 1</p>	<p>4</p> <p>Ø37 mm Ø1.46"</p> <p>Total no. = 1</p>	<p>5</p> <p>Ø54 mm Ø2.13"</p> <p>Total no. = 1</p>
<p>7</p> <p>Ø28 mm Ø1.1"</p> <p>Total no. = 1</p>	<p>9</p> <p>M4</p> <p>Total no. = 1</p>	<p>10</p> <p>Ø3 mm Ø0.118"</p> <p>Total no. = 14</p>	<p>11</p> <p>Ø40 mm Ø1.57"</p> <p>Total no. = 1</p>	<p>12</p> <p>Total no. = 1</p>

NOTE: When replacing the packing gland (pos. 7) in SVA-S/L, SVA-ST/LT or SVA-HS the aluminium gasket (pos. 2) is needed.

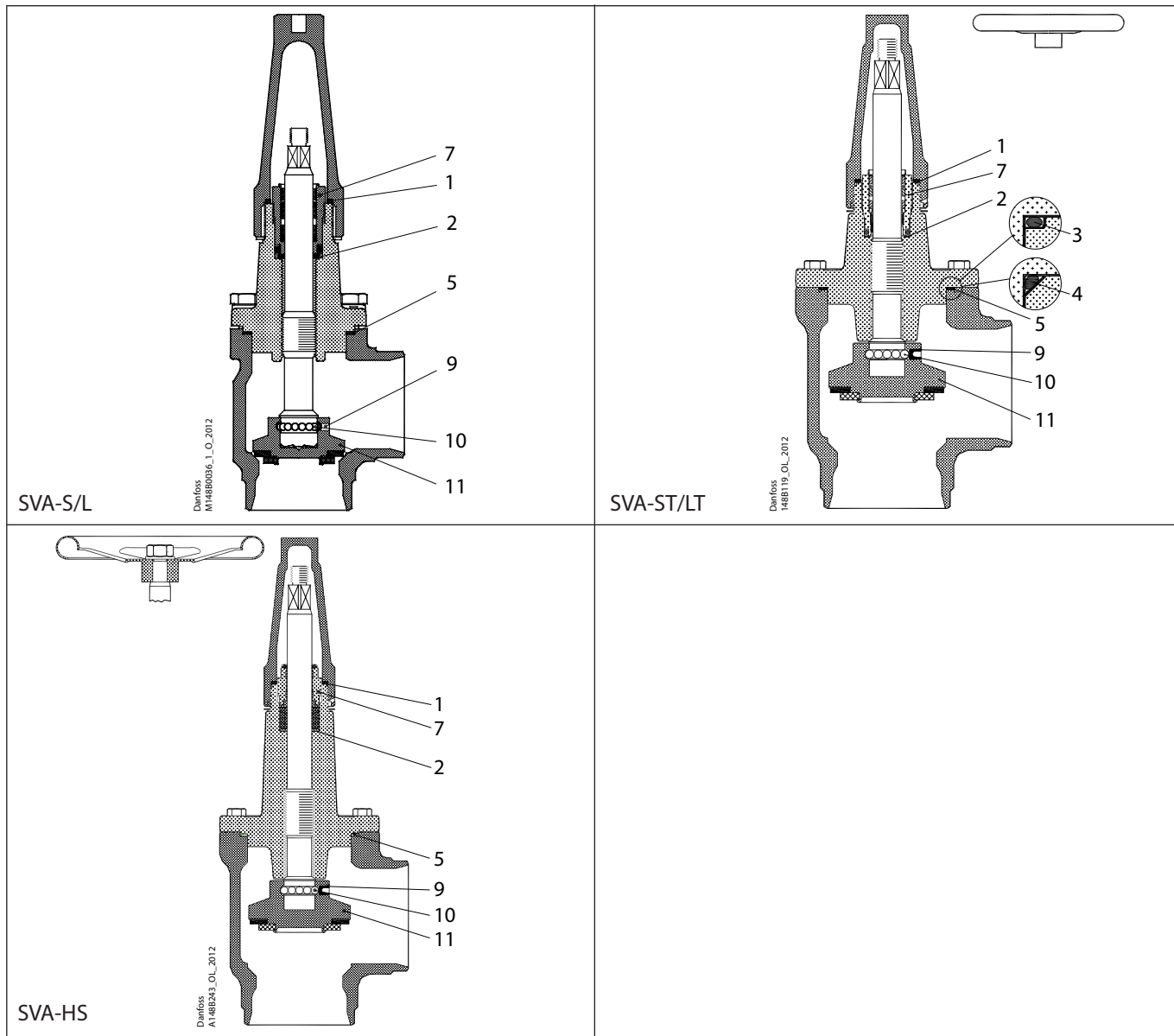
Overhaul kit | Code number 148B6153
SVA-S/L, SVA-ST/LT, SVA-HS, size 50



<p>1</p> <p> = Nylon</p> <p>Total no. = 1</p>	<p>2</p> <p> = Alu.</p> <p>Total no. = 1</p>	<p>3</p> <p>Total no. = 1</p>	<p>4</p> <p>Total no. = 1</p>	<p>5</p> <p> = Fibre</p> <p>Total no. = 1</p>
<p>7</p> <p>Total no. = 1</p>	<p>9</p> <p>Total no. = 1</p>	<p>10</p> <p>Total no. = 14</p>	<p>11</p> <p>Total no. = 1</p>	<p>12</p> <p>Total no. = 1</p>

NOTE: When replacing the packing gland (pos. 7) in SVA-S/L, SVA-ST/LT or SVA-HS the aluminium gasket (pos. 2) is needed.

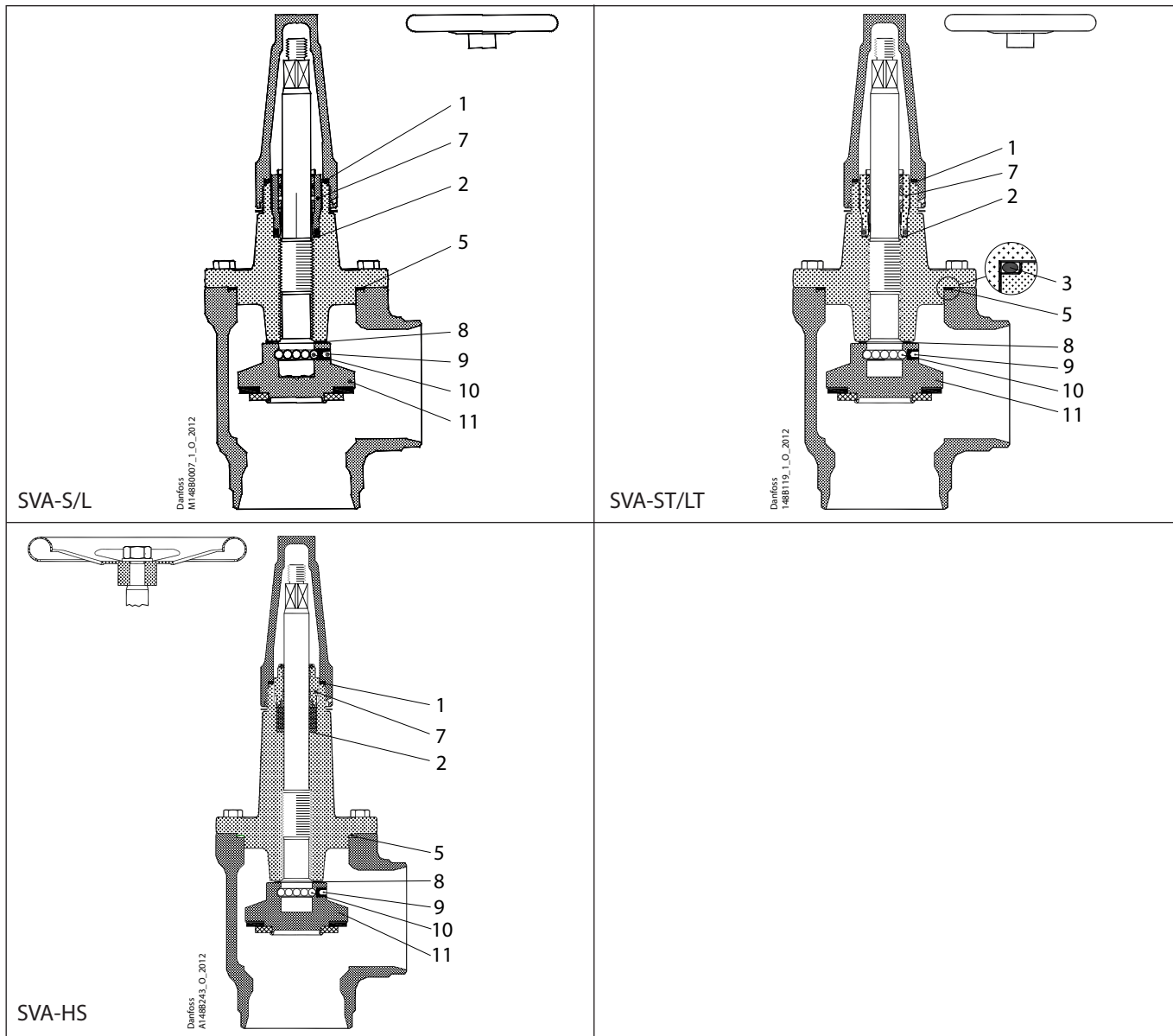
Overhaul kit | Code number 148B6154
SVA-S/L, SVA-ST/LT, SVA-HS, size 65



<p>1</p> <p> = Nylon</p> <p>Total no. = 1</p>	<p>2</p> <p> = Alu.</p> <p>Total no. = 1</p>	<p>3</p> <p>Total no. = 1</p>	<p>4</p> <p>Total no. = 1</p>	<p>5</p> <p> = Fibre</p> <p>Total no. = 1</p>
<p>7</p> <p>Total no. = 1</p>	<p>9</p> <p>Total no. = 1</p>	<p>10</p> <p>Total no. = 14</p>	<p>11</p> <p>Total no. = 1</p>	<p>12</p> <p>Total no. = 1</p>

NOTE: When replacing the packing gland (pos. 7) in SVA-S/L, SVA-ST/LT or SVA-HS the aluminium gasket (pos. 2) is needed.

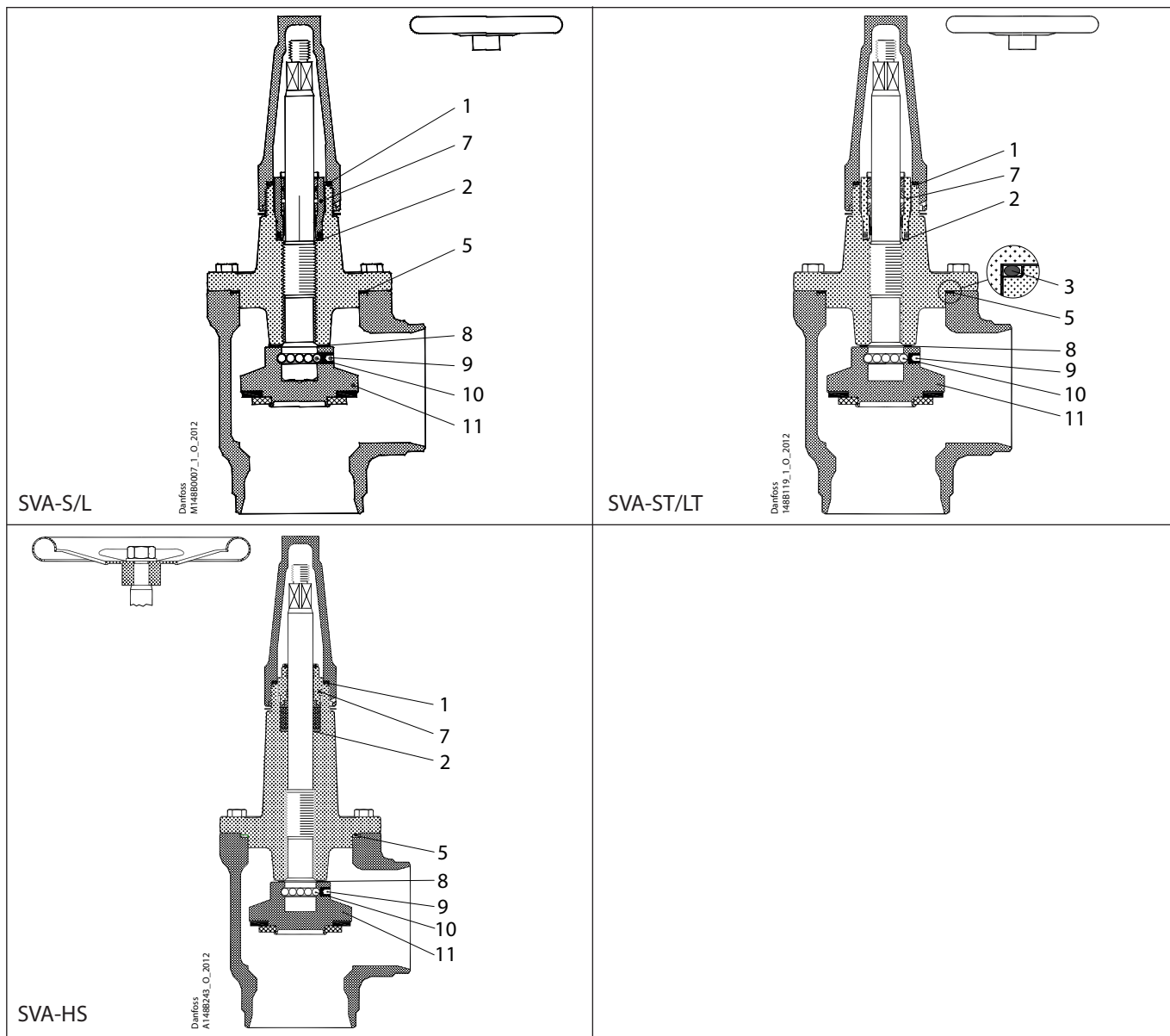
Overhaul kit | Code number 148B6155
SVA-S/L, SVA-ST/LT, SVA-HS, size 80



<p>1</p> <p> = Nylon</p> <p>Total no. = 1</p>	<p>2</p> <p> = Alu.</p> <p>Total no. = 1</p>	<p>3</p> <p>Total no. = 1</p>	<p>5</p> <p> = Fibre</p> <p>Total no. = 1</p>	<p>7</p> <p>Total no. = 1</p>
<p>8</p> <p> = PTFE</p> <p>Total no. = 1</p>	<p>9</p> <p>Total no. = 1</p>	<p>10</p> <p>Total no. = 13</p>	<p>11</p> <p>Total no. = 1</p>	<p>12</p> <p>Total no. = 1</p>

NOTE: When replacing the packing gland (pos. 7) in SVA-S/L, SVA-ST/LT or SVA-HS the aluminium gasket (pos. 2) is needed.

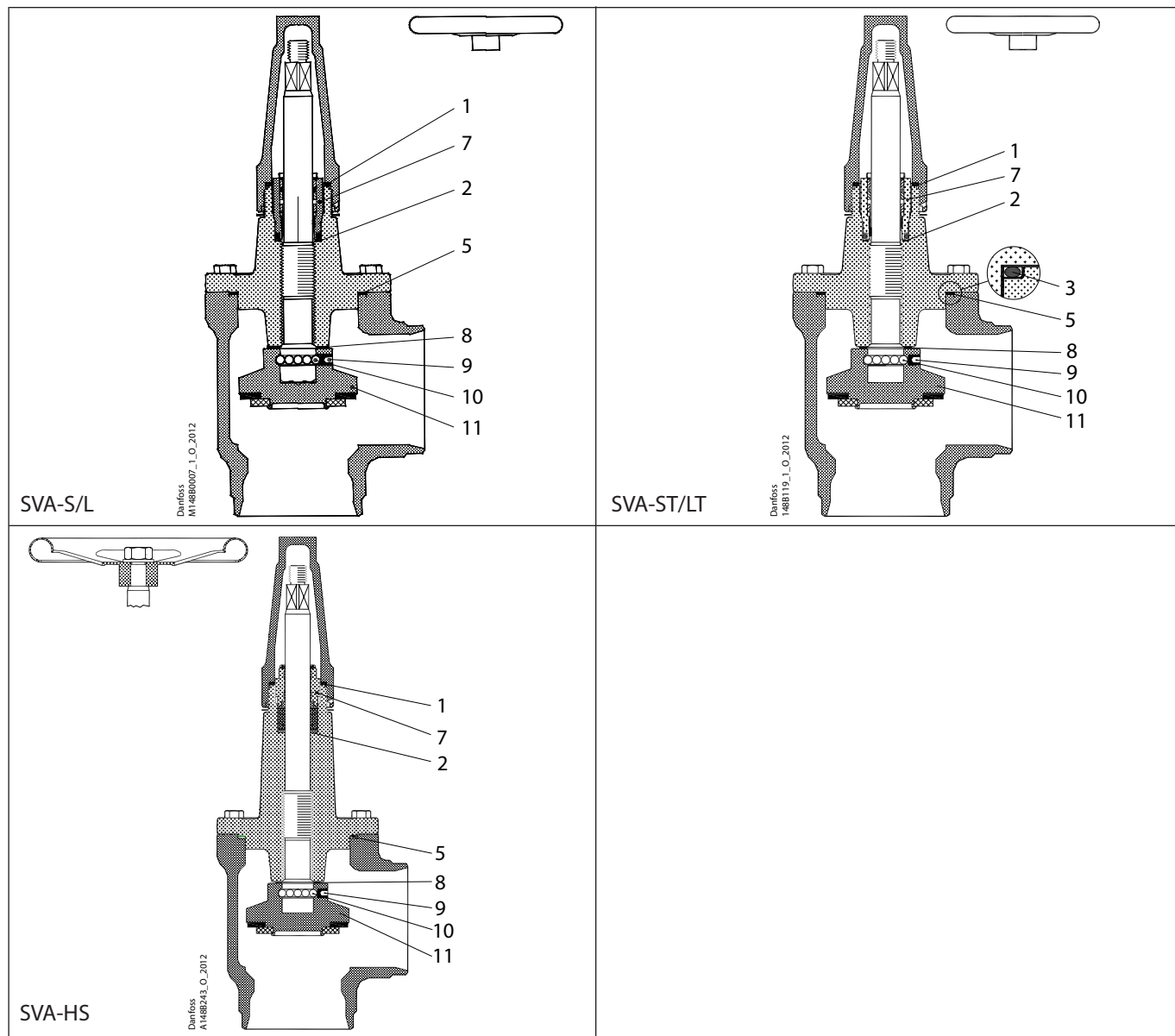
Overhaul kit | Code number 148B6156
SVA-S/L, SVA-ST/LT, SVA-HS, size 100



<p>1</p> <p> = Nylon</p> <p>Total no. = 1</p>	<p>2</p> <p> = Alu.</p> <p>Total no. = 1</p>	<p>3</p> <p>Total no. = 1</p>	<p>5</p> <p> = Fibre</p> <p>Total no. = 1</p>	<p>7</p> <p>Total no. = 1</p>
<p>8</p> <p> = PTFE</p> <p>Total no. = 1</p>	<p>9</p> <p>Total no. = 1</p>	<p>10</p> <p>Total no. = 13</p>	<p>11</p> <p>Total no. = 1</p>	<p>12</p> <p>Total no. = 1</p>

NOTE: When replacing the packing gland (pos. 7) in SVA-S/L, SVA-ST/LT or SVA-HS the aluminium gasket (pos. 2) is needed.

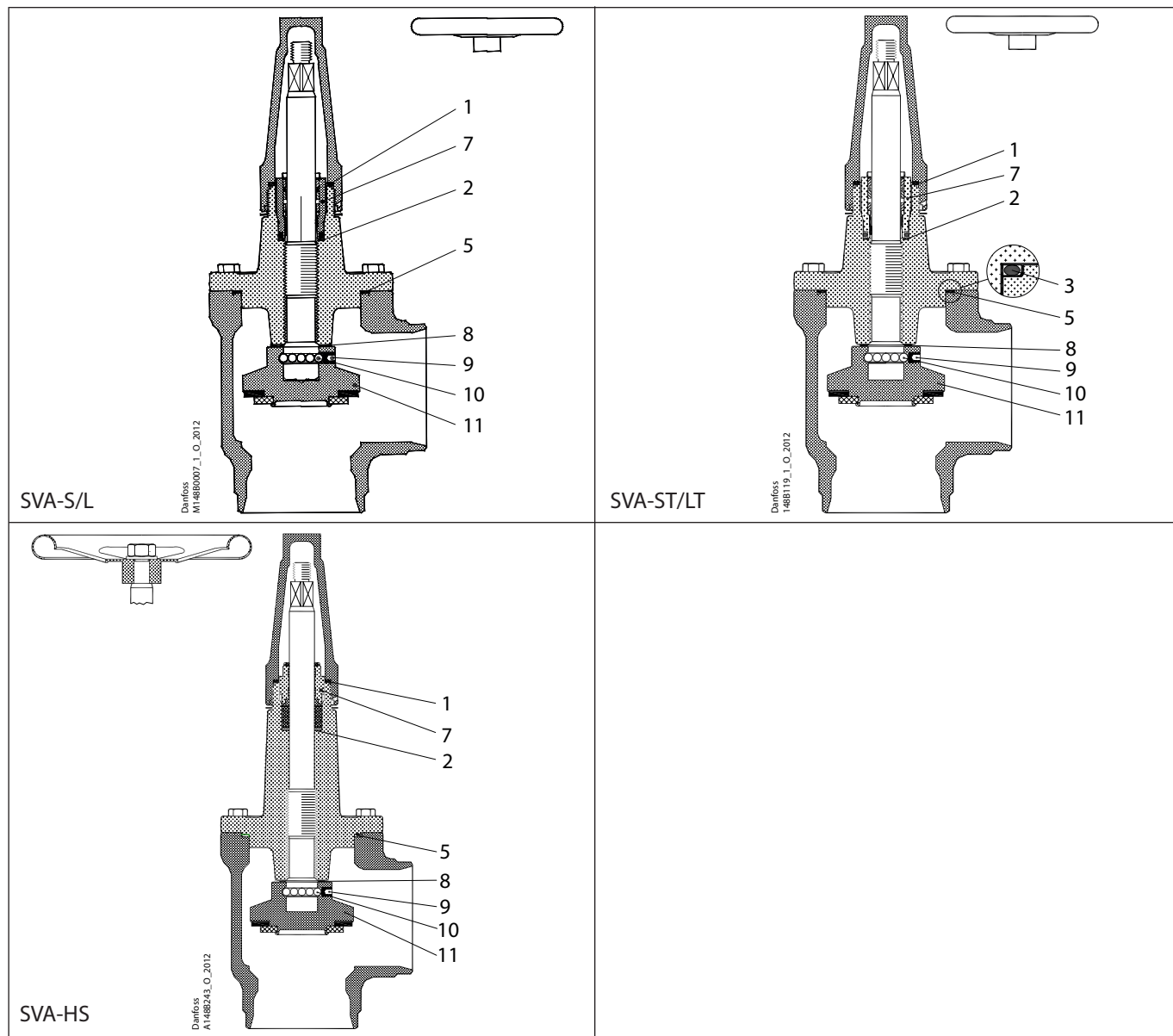
Overhaul kit | Code number 148B6157
SVA-S/L, SVA-ST/LT, SVA-HS, size 125



<p>1</p> <p> = Nylon</p> <p>Total no. = 1</p>	<p>2</p> <p> = Alu.</p> <p>Total no. = 1</p>	<p>3</p> <p>Total no. = 1</p>	<p>5</p> <p> = Fibre</p> <p>Total no. = 1</p>	<p>7</p> <p>Total no. = 1</p>
<p>8</p> <p> = PTFE</p> <p>Total no. = 1</p>	<p>9</p> <p>Total no. = 1</p>	<p>10</p> <p>Total no. = 13</p>	<p>11</p> <p>Total no. = 1</p>	<p>12</p> <p>Total no. = 1</p>

NOTE: When replacing the packing gland (pos. 7) in SVA-S/L, SVA-ST/LT or SVA-HS the aluminium gasket (pos. 2) is needed.

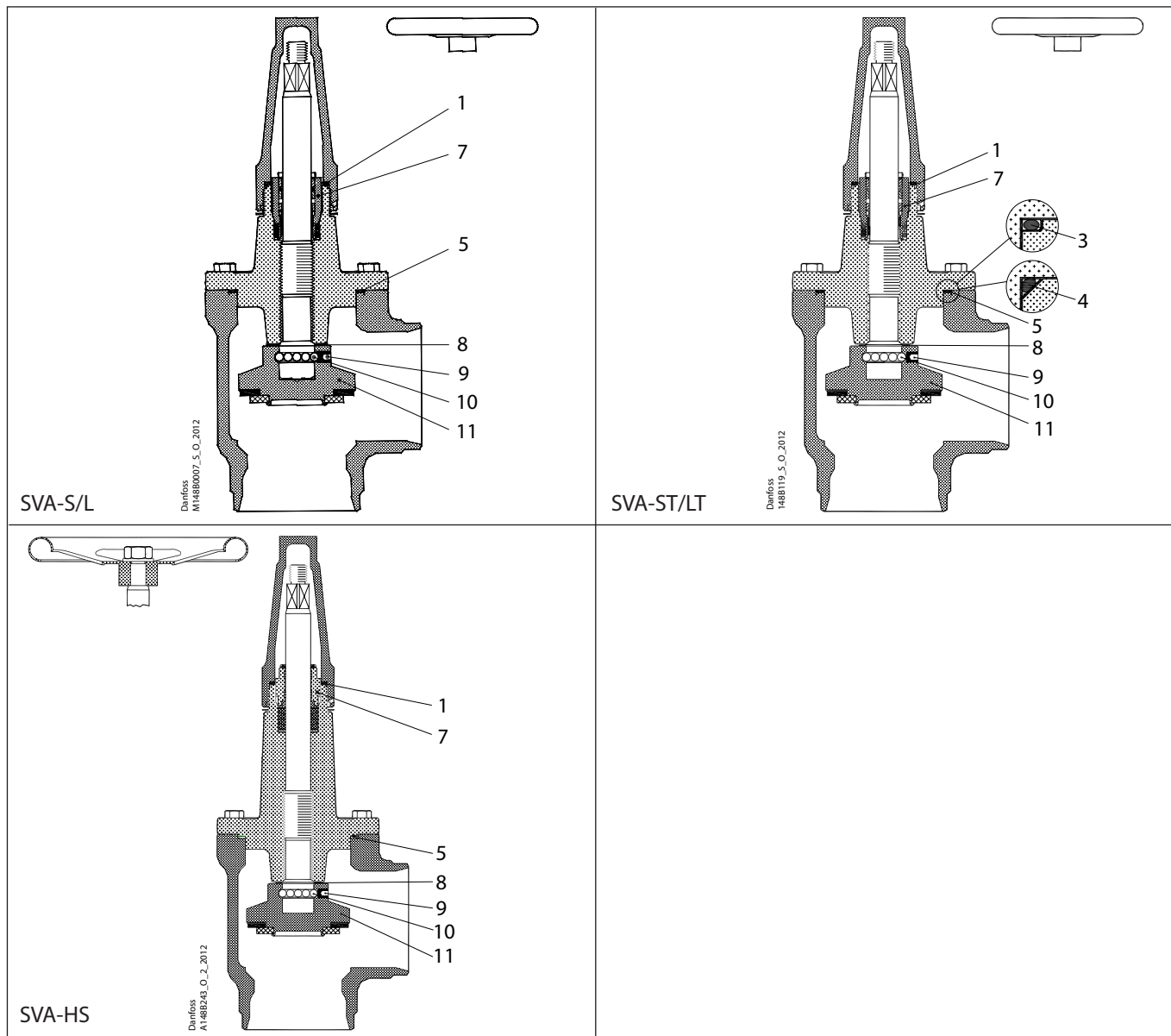
Overhaul kit | Code number 148B6158
SVA-S/L, SVA-ST/LT, SVA-HS, size 150



<p>1</p> <p> = Nylon</p> <p>Total no. = 1</p>	<p>2</p> <p> = Alu.</p> <p>Total no. = 1</p>	<p>3</p> <p>Total no. = 1</p>	<p>5</p> <p> = Fibre</p> <p>Total no. = 1</p>	<p>7</p> <p>Total no. = 1</p>
<p>8</p> <p> = PTFE</p> <p>Total no. = 1</p>	<p>9</p> <p>Total no. = 1</p>	<p>10</p> <p>Total no. = 13</p>	<p>11</p> <p>Total no. = 1</p>	<p>12</p> <p>Total no. = 1</p>

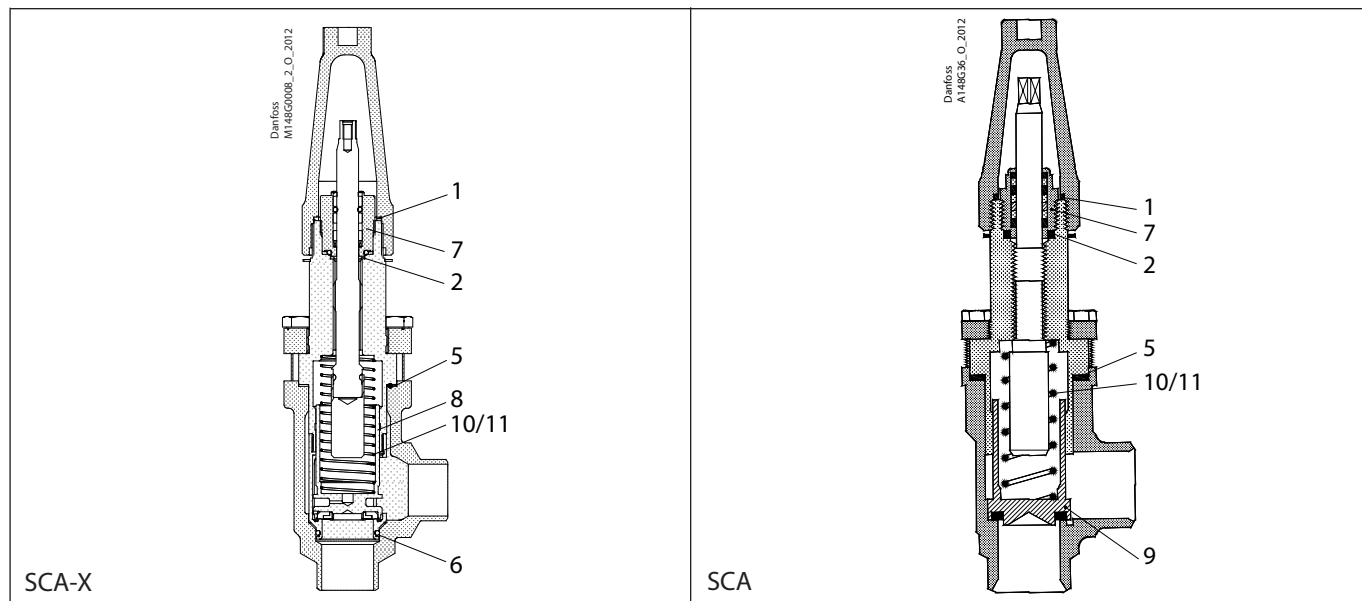
NOTE: When replacing the packing gland (pos. 7) in SVA-S/L, SVA-ST/LT or SVA-HS the aluminium gasket (pos. 2) is needed.

Overhaul kit | Code number 148B6472
Shut-off valves, SVA-S/L, SVA-ST/LT, SVA-HS, size 200



<p>1</p> <p>Ø66 mm Ø2.61"</p> <p>Total no. = 1</p>	<p>3</p> <p>Ø190 mm Ø3.23"</p> <p>Total no. = 1</p>	<p>5</p> <p>Ø116 mm Ø8.5"</p> <p>Total no. = 1</p>	<p>7</p> <p>Ø50 mm Ø1.97"</p> <p>Total no. = 1</p>	<p>8</p> <p>Ø47 mm Ø1.85"</p> <p>Total no. = 1</p>
<p>9</p> <p>M12</p> <p>Total no. = 1</p>	<p>10</p> <p>Ø10 mm Ø0.394"</p> <p>Total no. = 13</p>	<p>11</p> <p>Total no. = 1</p>	<p>12</p> <p>Total no. = 1</p>	<p>13</p> <p>Total no. = 1</p>

Overhaul kit | Code number 148B6160
SCA / SCA-X sizes 15 - 20

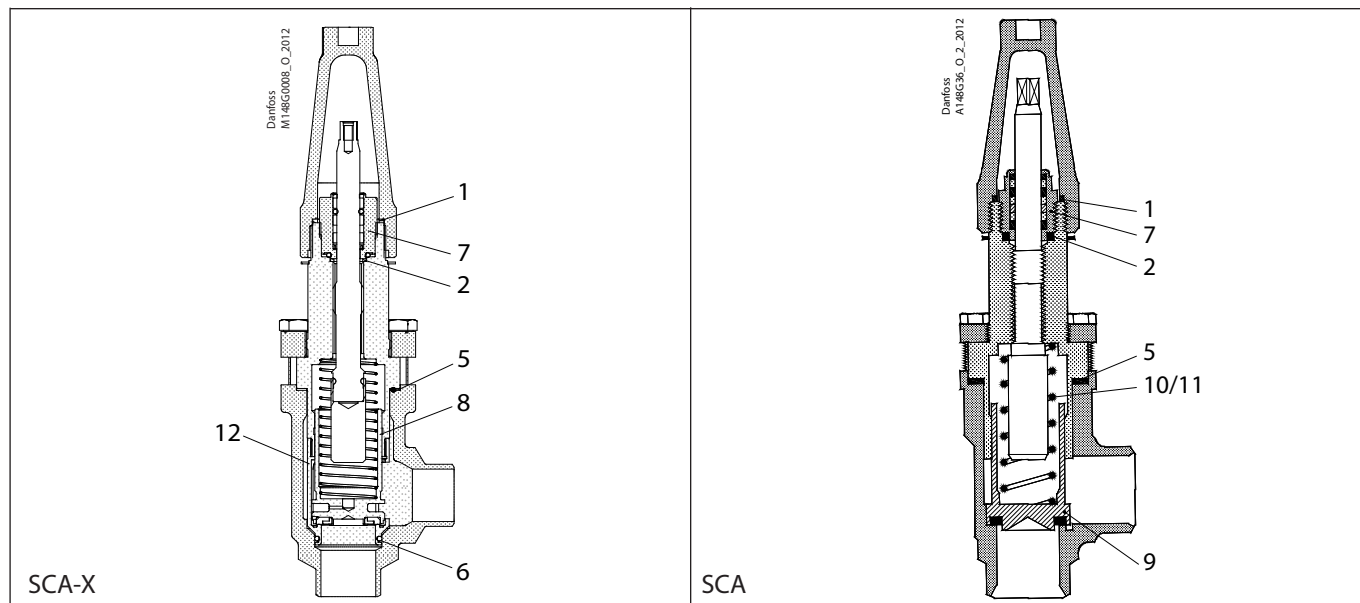


<p>1</p> <p> = Nylon</p> <p>Total no. = 1</p>	<p>2</p> <p> = Alu.</p> <p>Total no. = 1</p>	<p>5</p> <p> = Fibre</p> <p>Total no. = 1</p>	<p>6</p> <p>Total no. = 1</p>	<p>7</p> <p>Total no. = 1</p>
<p>8</p> <p>Total no. = 1</p>	<p>9</p> <p>Total no. = 1</p>	<p>10</p> <p>Total no. = 1</p>	<p>11</p> <p>Total no. = 1</p>	

NOTE:

When replacing the packing gland (pos. 7) in SCA-X or SCA the aluminium gasket (pos. 2) is needed.

Overhaul kit | Code number 148B6161
SCA / SCA-X sizes 25-40

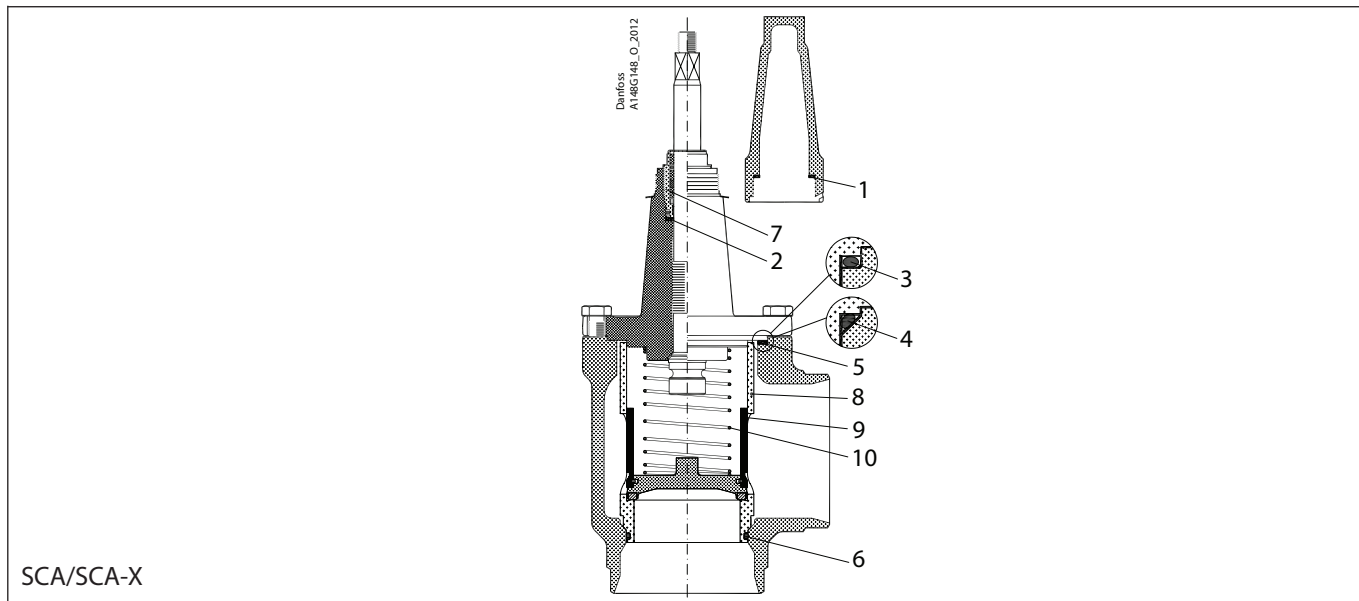


<p>1</p> <p> = Nylon</p> <p>Total no. = 1</p>	<p>2</p> <p> = Alu.</p> <p>Total no. = 1</p>	<p>5</p> <p> = Fibre</p> <p>Total no. = 1</p>	<p>6</p> <p>Total no. = 1</p>	<p>7</p> <p>Total no. = 1</p>
<p>8</p> <p>Total no. = 1</p>	<p>9</p> <p>Total no. = 1</p>	<p>10</p> <p>Total no. = 1</p>	<p>11</p> <p>Total no. = 1</p>	<p>12</p> <p>Total no. = 1</p>

NOTE:

When replacing the packing gland (pos. 7) in SCA-X or SCA the aluminium gasket (pos. 2) is needed.

Overhaul kit | Code number 148B6162
SCA / SCA-X sizes 50



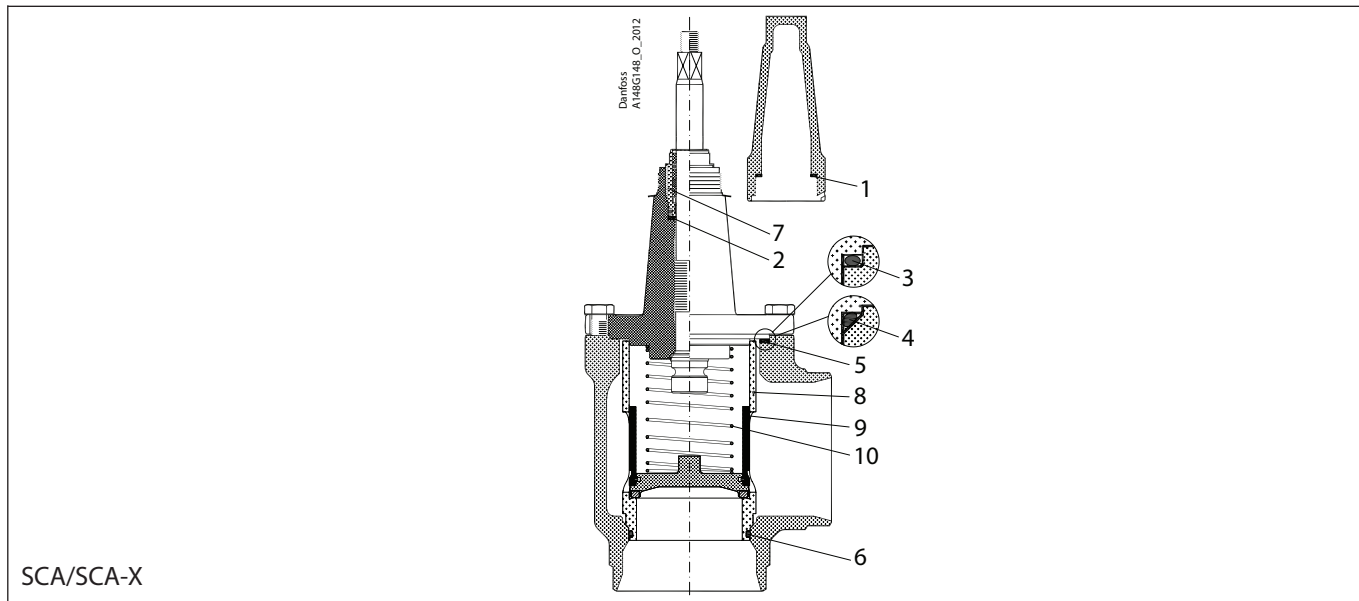
SCA/SCA-X

<p>1</p> <p> = Nylon</p> <p>Total no. = 1</p>	<p>2</p> <p> = Alu.</p> <p>Total no. = 1</p>	<p>3</p> <p>Total no. = 1</p>	<p>4</p> <p>Total no. = 1</p>	<p>5</p> <p> = Fibre</p> <p>Total no. = 1</p>
<p>6</p> <p>Total no. = 1</p>	<p>7</p> <p>Total no. = 1</p>	<p>8</p> <p>Total no. = 1</p>	<p>9</p> <p>Total no. = 1</p>	<p>10</p> <p>Total no. = 1</p>

NOTE:

When replacing the packing gland (pos. 7) in SCA-X or SCA the aluminium gasket (pos. 2) is needed.

Overhaul kit | Code number 148B6163
SCA / SCA-X sizes 65



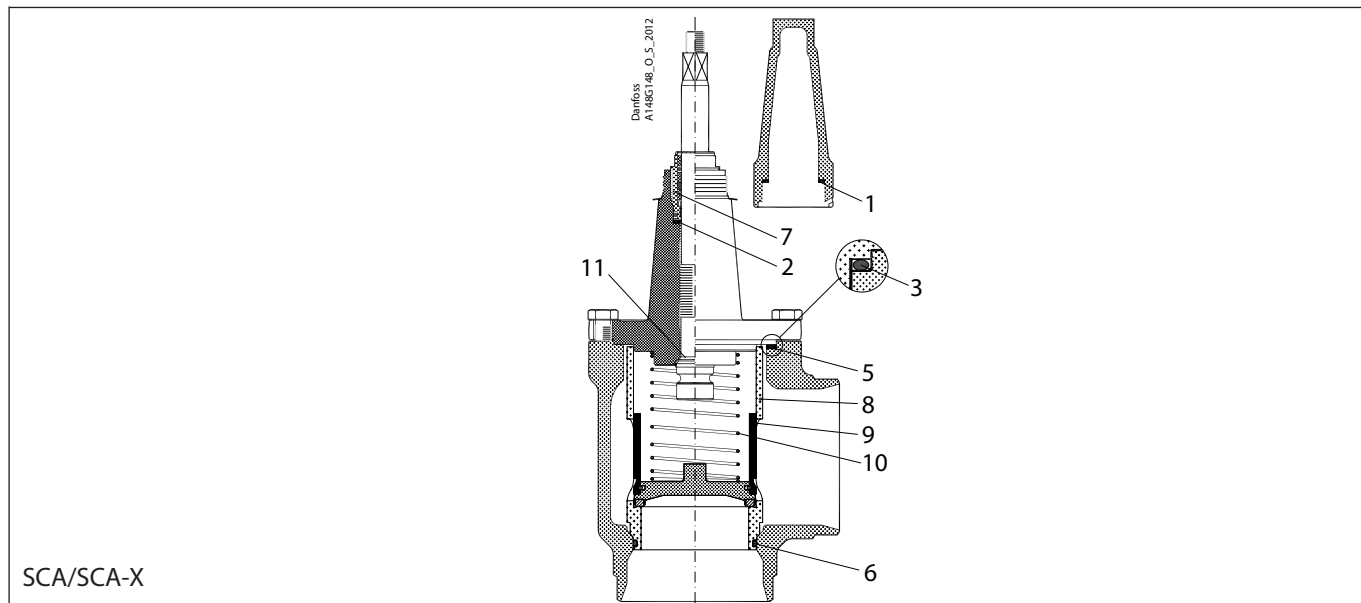
SCA/SCA-X

<p>1</p> <p> = Nylon</p> <p>Total no. = 1</p>	<p>2</p> <p> = Alu.</p> <p>Total no. = 1</p>	<p>3</p> <p>Total no. = 1</p>	<p>4</p> <p>Total no. = 1</p>	<p>5</p> <p> = Fibre</p> <p>Total no. = 1</p>
<p>6</p> <p>Total no. = 1</p>	<p>7</p> <p>Total no. = 1</p>	<p>8</p> <p>Total no. = 1</p>	<p>9</p> <p>Total no. = 1</p>	<p>10</p> <p>Total no. = 1</p>

NOTE:

When replacing the packing gland (pos. 7) in SCA-X or SCA the aluminium gasket (pos. 2) is needed.

Overhaul kit | Code number 148B6164
SCA / SCA-X sizes 80



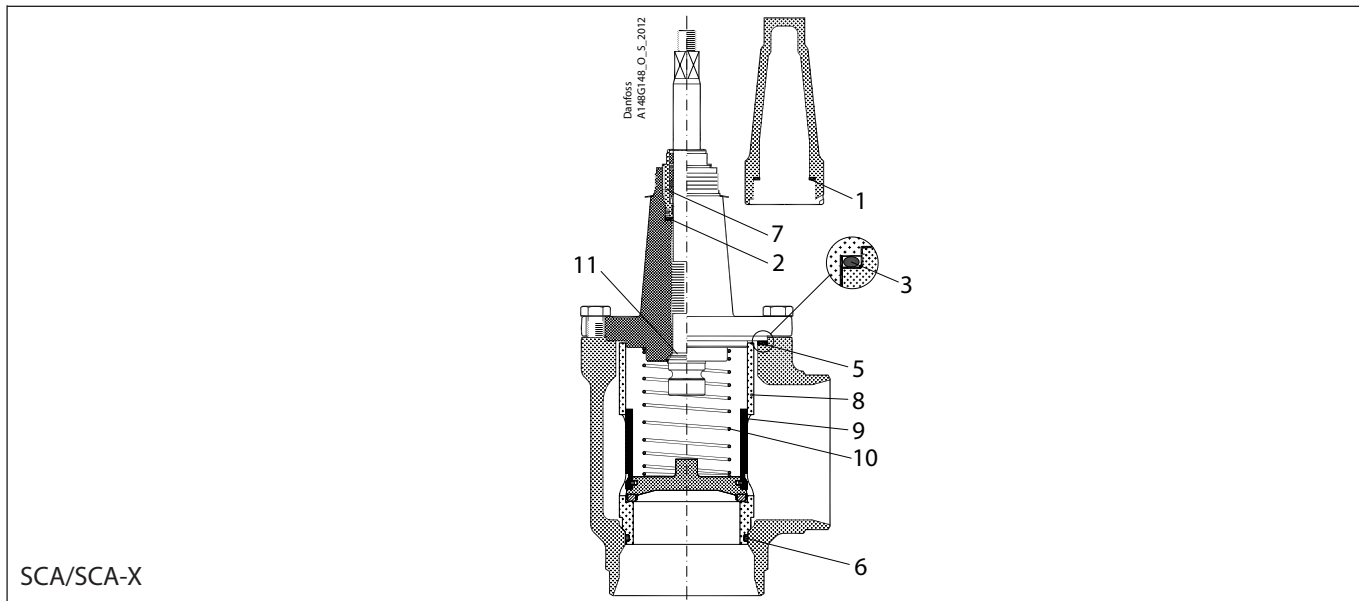
SCA/SCA-X

<p>1</p> <p> = Nylon</p> <p>Total no. = 1</p>	<p>2</p> <p> = Alu.</p> <p>Total no. = 1</p>	<p>3</p> <p>Total no. = 1</p>	<p>5</p> <p> = Fibre</p> <p>Total no. = 1</p>	<p>6</p> <p>Total no. = 1</p>
<p>7</p> <p>Total no. = 1</p>	<p>8</p> <p>Total no. = 1</p>	<p>9</p> <p>Total no. = 1</p>	<p>10</p> <p>Total no. = 1</p>	<p>11</p> <p> = PTFE</p> <p>Total no. = 1</p>

NOTE:

When replacing the packing gland (pos. 7) in SCA-X or SCA the aluminium gasket (pos. 2) is needed.

Overhaul kit | Code number 148B6165
SCA / SCA-X sizes 100



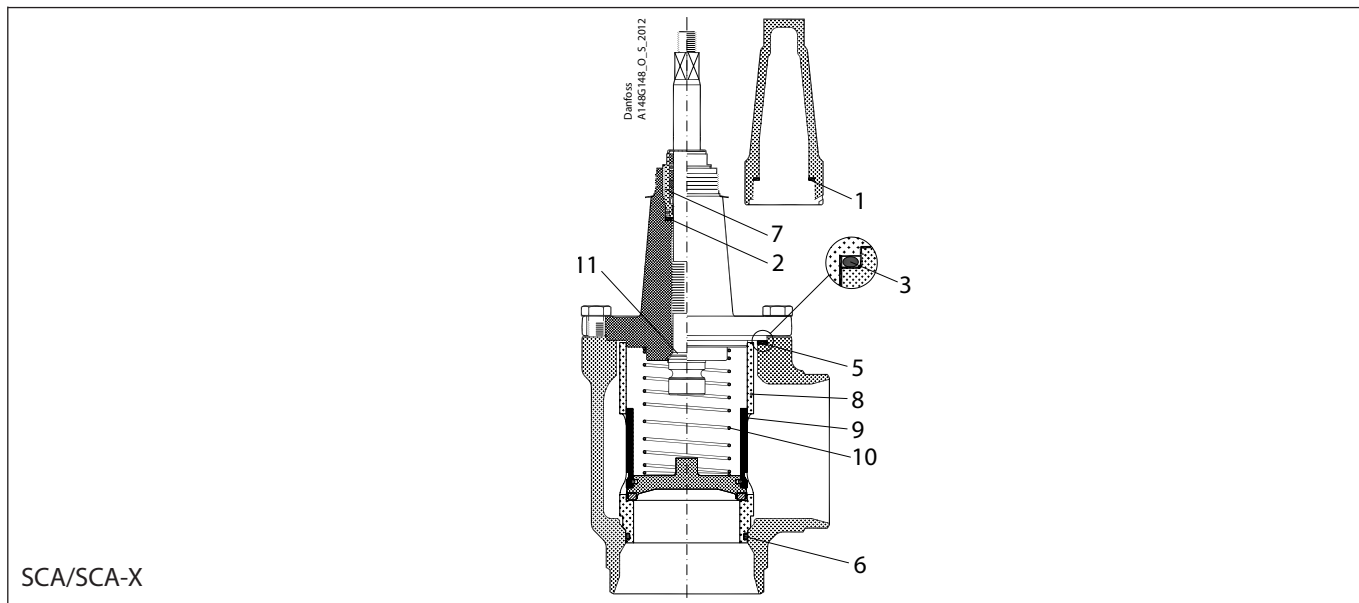
SCA/SCA-X

<p>1</p> <p> = Nylon</p> <p>Ø45 mm Ø1.88"</p> <p>Total no. = 1</p>	<p>2</p> <p> = Alu.</p> <p>Ø31.5 mm Ø1.24"</p> <p>Total no. = 1</p>	<p>3</p> <p>Ø101 mm Ø3.98"</p> <p>Total no. = 1</p>	<p>5</p> <p> = Fibre</p> <p>Ø119 mm Ø4.69"</p> <p>Total no. = 1</p>	<p>6</p> <p>Ø82 mm Ø3.23"</p> <p>Total no. = 1</p>
<p>7</p> <p>Ø32 mm Ø1.26"</p> <p>Total no. = 1</p>	<p>8</p> <p>Ø99.5 mm Ø3.92"</p> <p>Total no. = 1</p>	<p>9</p> <p>Ø90 mm Ø3.54"</p> <p>Total no. = 1</p>	<p>10</p> <p>250 mm 9.84"</p> <p>Total no. = 1</p>	<p>11</p> <p> = PTFE</p> <p>Ø90 mm Ø1.18"</p> <p>Total no. = 1</p>

NOTE:

When replacing the packing gland (pos. 7) in SCA-X or SCA the aluminium gasket (pos. 2) is needed.

Overhaul kit | Code number 148B6166
SCA / SCA-X sizes 125



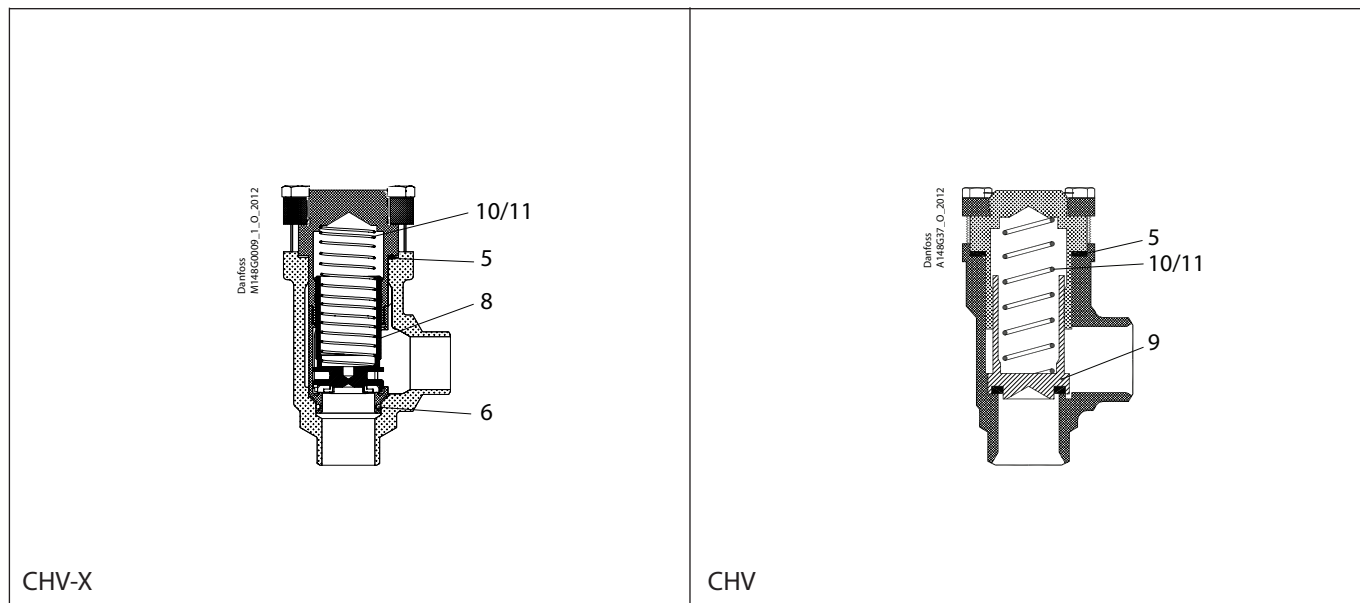
SCA/SCA-X

<p>1</p> <p> = Nylon</p> <p>Total no. = 1</p>	<p>2</p> <p> = Alu.</p> <p>Total no. = 1</p>	<p>3</p> <p>Total no. = 1</p>	<p>5</p> <p> = Fibre</p> <p>Total no. = 1</p>	<p>6</p> <p>Total no. = 1</p>
<p>7</p> <p>Total no. = 1</p>	<p>8</p> <p>Total no. = 1</p>	<p>9</p> <p>Total no. = 1</p>	<p>10</p> <p>Total no. = 1</p>	<p>11</p> <p> = PTFE</p> <p>Total no. = 1</p>

NOTE:

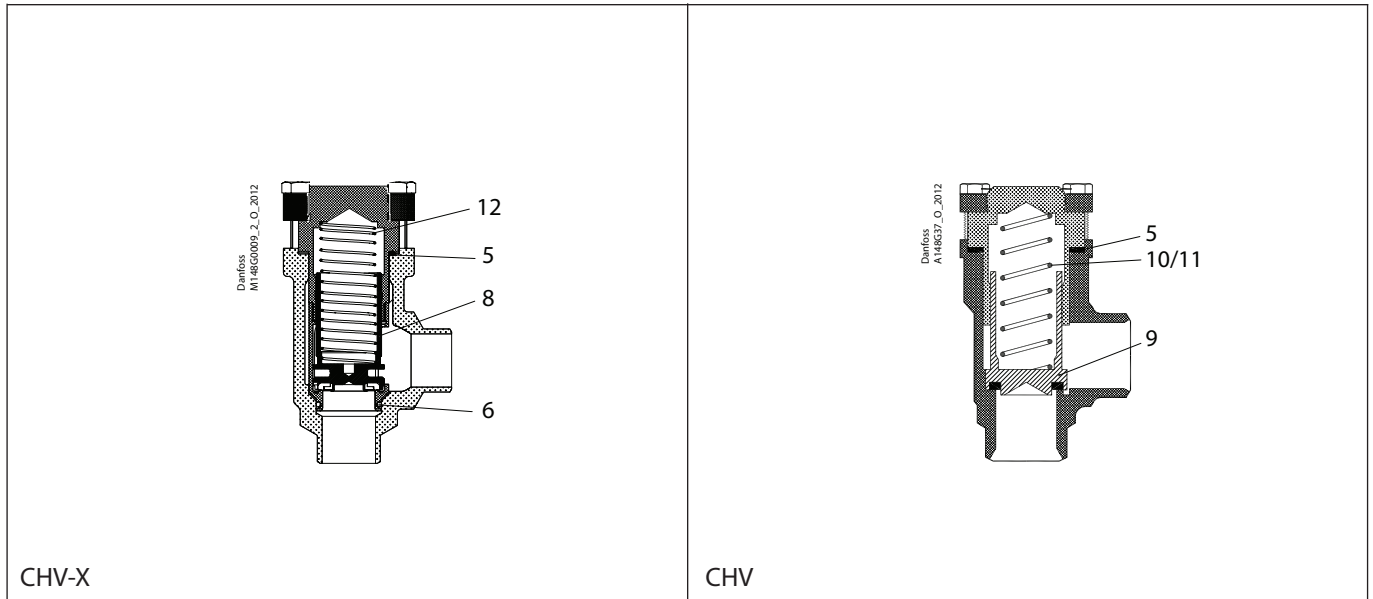
When replacing the packing gland (pos. 7) in SCA-X or SCA the aluminium gasket (pos. 2) is needed.

Overhaul kit | Code number 148B6167
CHV / CHV-X sizes 15 - 20



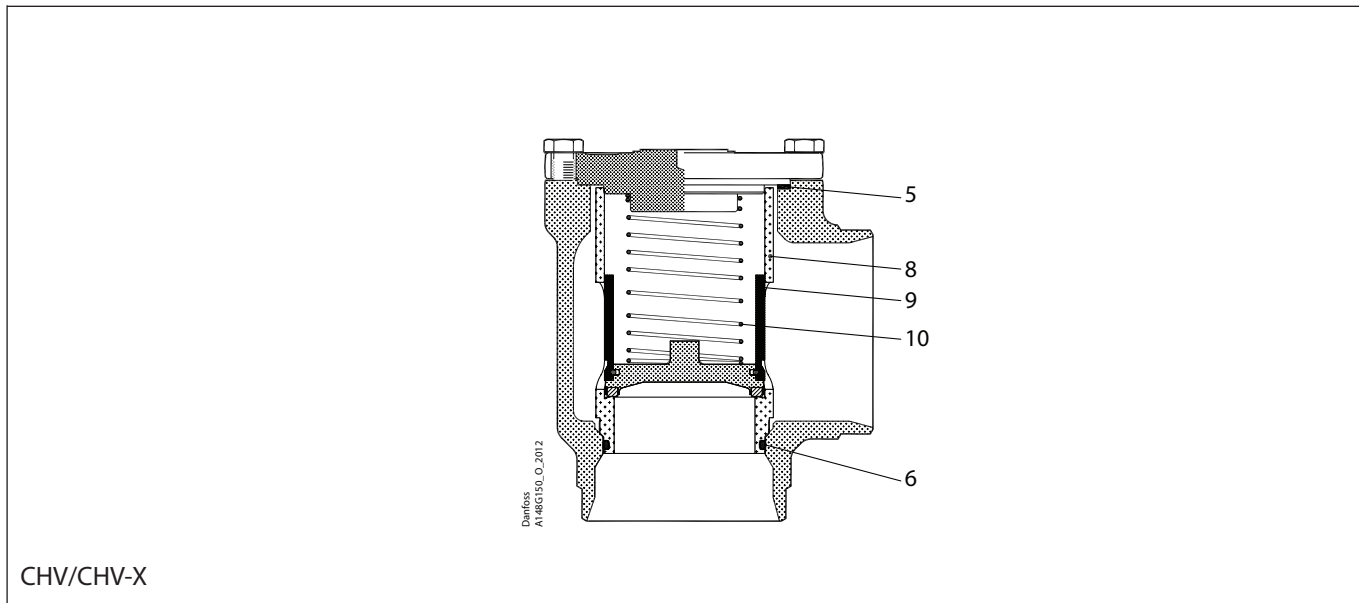
<p>5</p> <p>Total no. = 1</p>	<p>6</p> <p>Total no. = 1</p>	<p>8</p> <p>Total no. = 1</p>	<p>9</p> <p>Total no. = 1</p>	<p>10</p> <p>Total no. = 1</p>
<p>11</p> <p>Total no. = 1</p>				

Overhaul kit | Code number 148B6168
CHV / CHV-X sizes 25 - 40



<p>5</p> <p>Total no. = 1</p>	<p>6</p> <p>Total no. = 1</p>	<p>8</p> <p>Total no. = 1</p>	<p>9</p> <p>Total no. = 1</p>	<p>10</p> <p>Total no. = 1</p>
<p>11</p> <p>Total no. = 1</p>	<p>12</p> <p>Total no. = 1</p>			

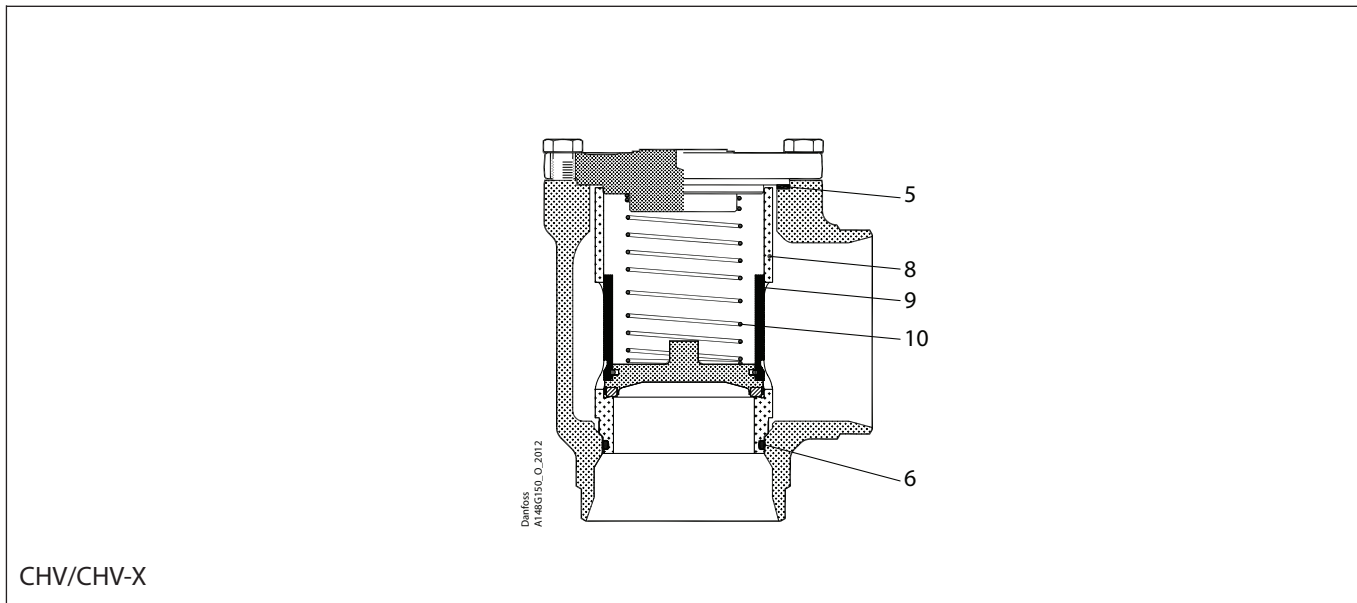
Overhaul kit | Code number 148B6169
CHV / CHV-X sizes 50



CHV/CHV-X

<p>5</p> <p>= Fibre</p> <p>Total no. = 1</p>	<p>6</p> <p>Total no. = 1</p>	<p>8</p> <p>Total no. = 1</p>	<p>9</p> <p>Total no. = 1</p>	<p>10</p> <p>Total no. = 1</p>
-----------------------------------------------------	--------------------------------------	--------------------------------------	--------------------------------------	---------------------------------------

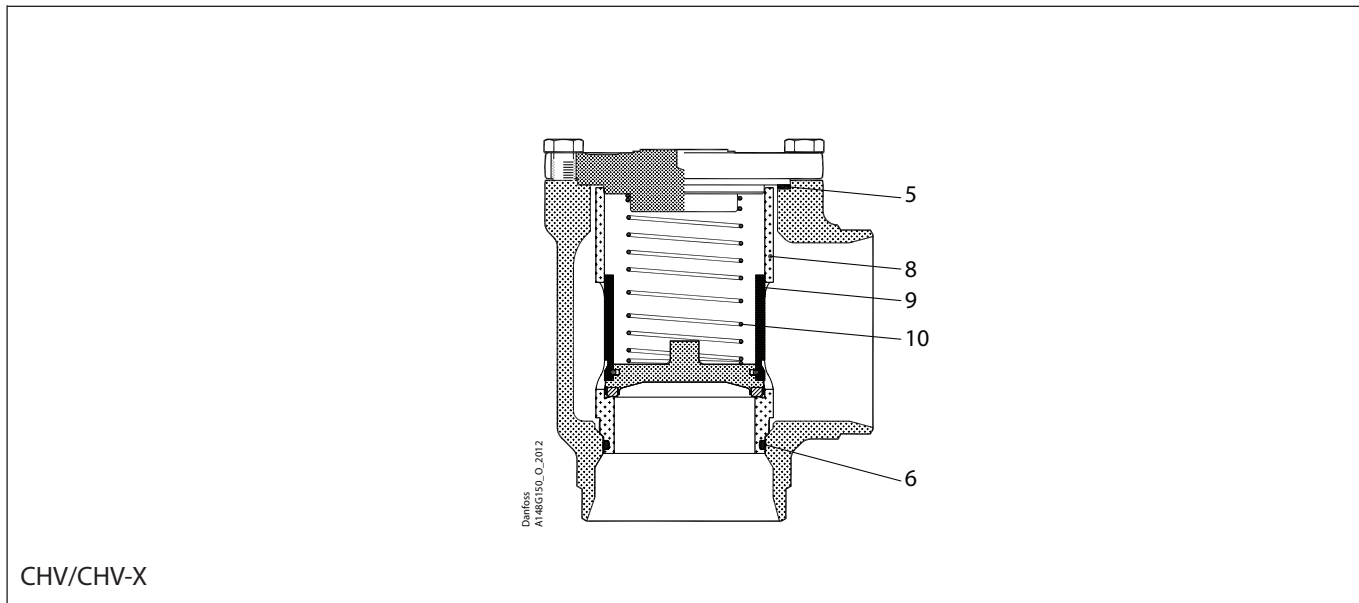
Overhaul kit | Code number 148B6170
CHV / CHV-X sizes 65



CHV/CHV-X

<p>5</p> <p>= Fibre</p> <p>Total no. = 1</p>	<p>6</p> <p>Total no. = 1</p>	<p>8</p> <p>Total no. = 1</p>	<p>9</p> <p>Total no. = 1</p>	<p>10</p> <p>Total no. = 1</p>
-----------------------------------------------------	--------------------------------------	--------------------------------------	--------------------------------------	---------------------------------------

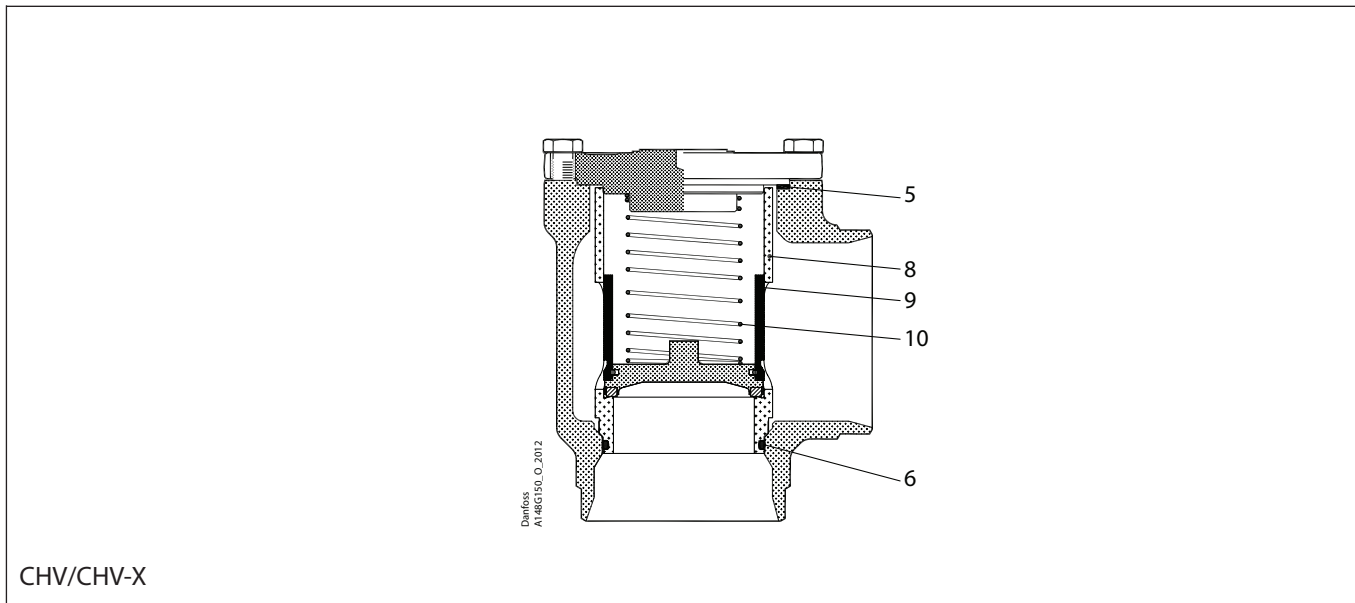
Overhaul kit | Code number 148B6171
CHV / CHV-X sizes 80



CHV/CHV-X

<p>5</p> <p>= Fibre</p> <p>Total no. = 1</p>	<p>6</p> <p>Total no. = 1</p>	<p>8</p> <p>Total no. = 1</p>	<p>9</p> <p>Total no. = 1</p>	<p>10</p> <p>Total no. = 1</p>
-----------------------------------------------------	--------------------------------------	--------------------------------------	--------------------------------------	---------------------------------------

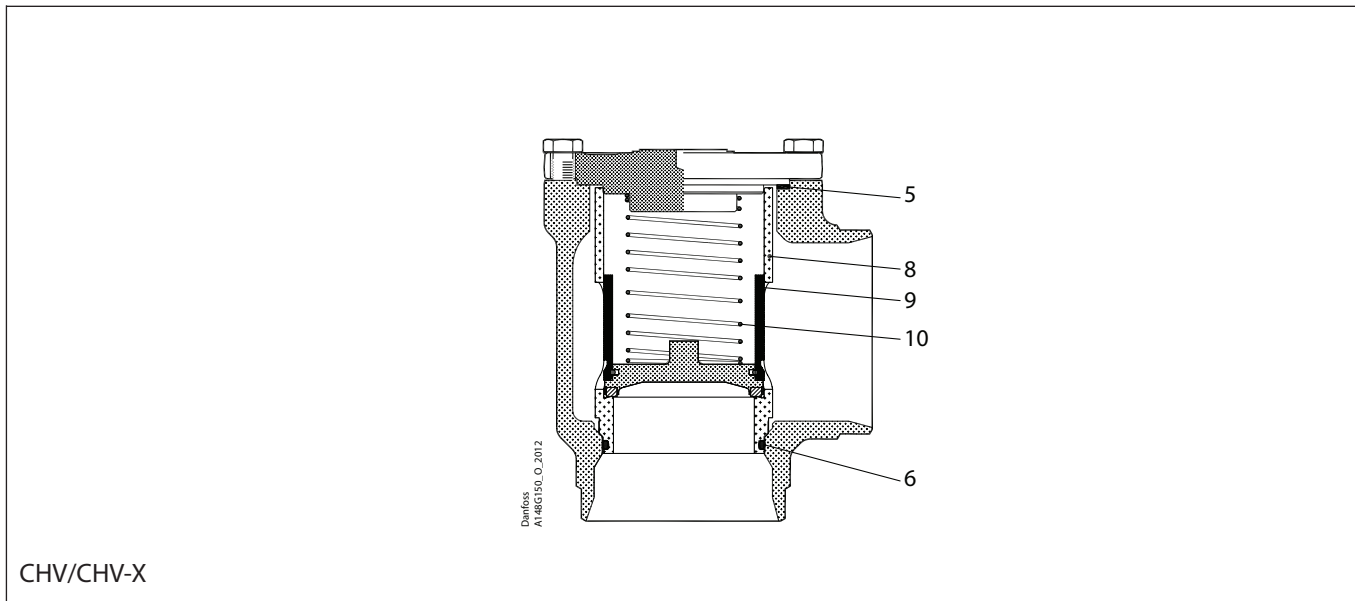
Overhaul kit | Code number 148B6172
CHV / CHV-X sizes 100



CHV/CHV-X

<p>5</p> <p>= Fibre</p> <p>Ø119 mm Ø169°</p> <p>Total no. = 1</p>	<p>6</p> <p>Ø82 mm Ø3.23°</p> <p>Total no. = 1</p>	<p>8</p> <p>Ø99.5 mm Ø3.92°</p> <p>Total no. = 1</p>	<p>9</p> <p>Ø90 mm Ø3.54°</p> <p>Total no. = 1</p>	<p>10</p> <p>250 mm 9.84°</p> <p>Total no. = 1</p>
------------------------------------------------------------------------------	---------------------------------------------------------------	-----------------------------------------------------------------	---------------------------------------------------------------	---------------------------------------------------------------

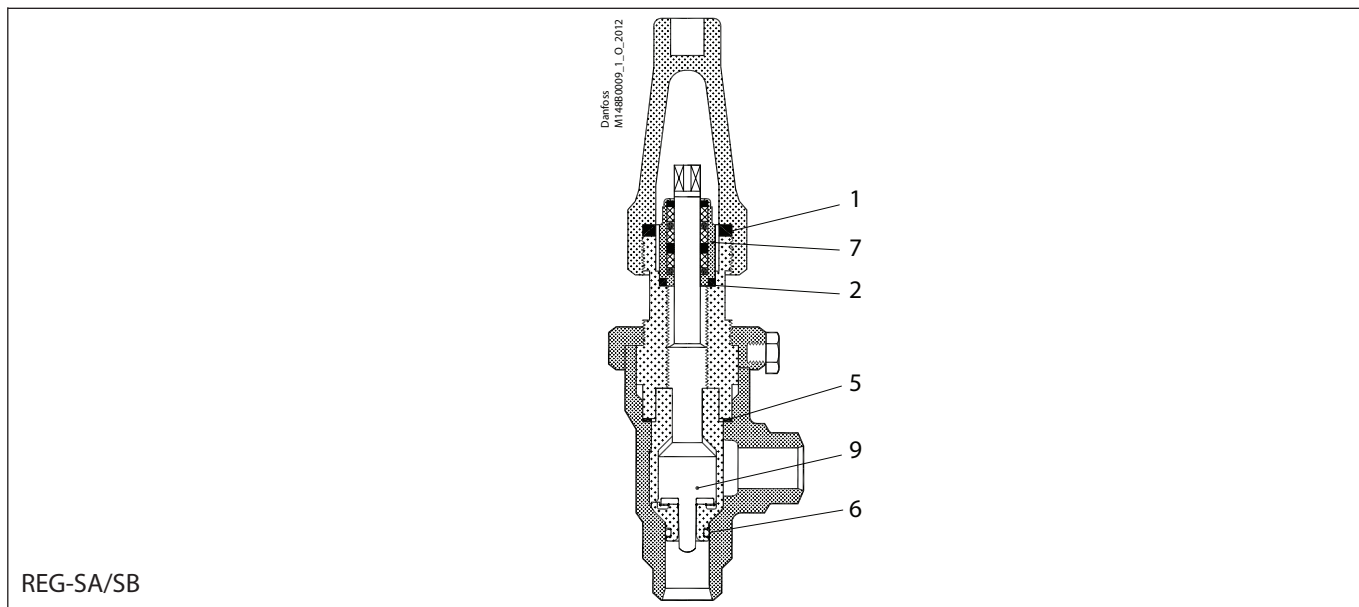
Overhaul kit | Code number 148B6173
CHV / CHV-X sizes 125



CHV/CHV-X

<p>5</p> <p>= Fibre</p> <p>Total no. = 1</p>	<p>6</p> <p>Total no. = 1</p>	<p>8</p> <p>Total no. = 1</p>	<p>9</p> <p>Total no. = 1</p>	<p>10</p> <p>Total no. = 1</p>
-----------------------------------------------------	--------------------------------------	--------------------------------------	--------------------------------------	---------------------------------------

Overhaul kit | Code number 148B6174
REG-SA/SB size 10



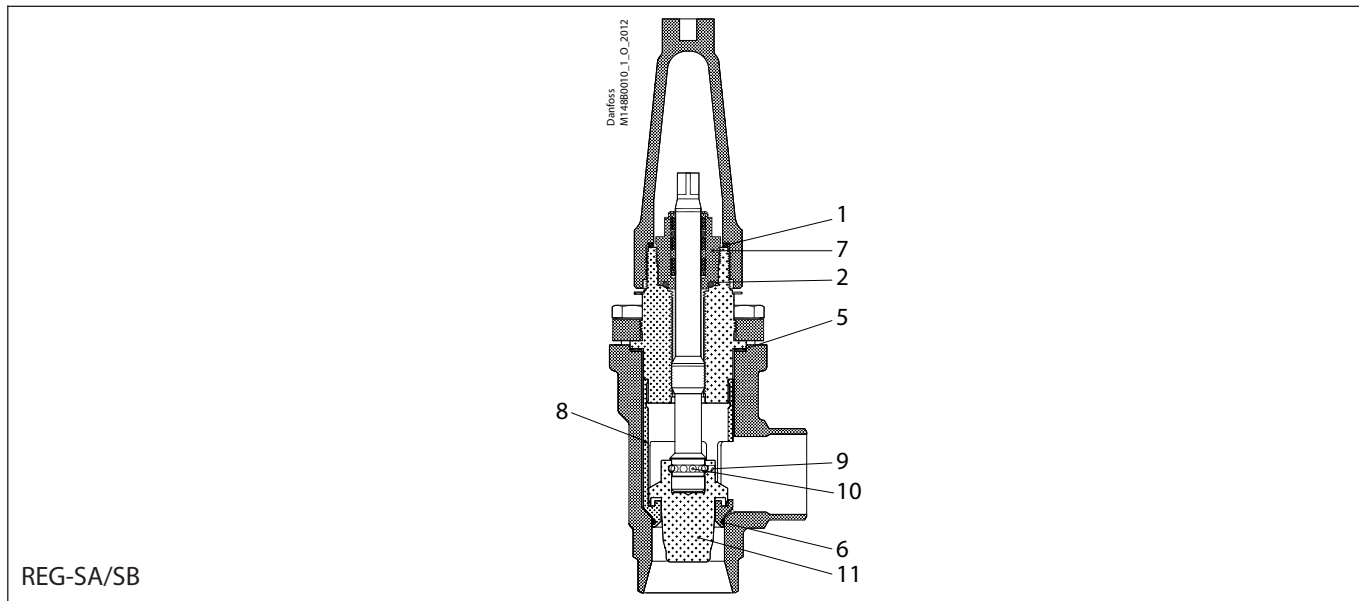
REG-SA/SB

<p>1</p> <p> = Nylon</p> <p>Ø21 mm Ø14 mm</p> <p>Total no. = 1</p>	<p>2</p> <p> = Alu.</p> <p>Ø14 mm Ø8 mm</p> <p>Total no. = 1</p>	<p>5</p> <p> = Alu.</p> <p>Ø22 mm Ø14 mm</p> <p>Total no. = 1</p>	<p>9</p> <p>11.7 mm 4.6 mm</p> <p>Total no. = 1</p>	<p>9</p> <p>10.8 mm 4.3 mm</p> <p>Total no. = 1</p>
<p>6</p> <p>Ø8 mm Ø4.4 mm</p> <p>Total no. = 1</p>	<p>7</p> <p>Ø14 mm Ø5.5 mm</p> <p>Total no. = 1</p>			

NOTE:

When replacing the packing gland (pos. 7) in REG-SA/B or REG the aluminium gasket (pos. 2) is needed.

Overhaul kit | Code number 148B6175
REG-SA/SB size 15-20



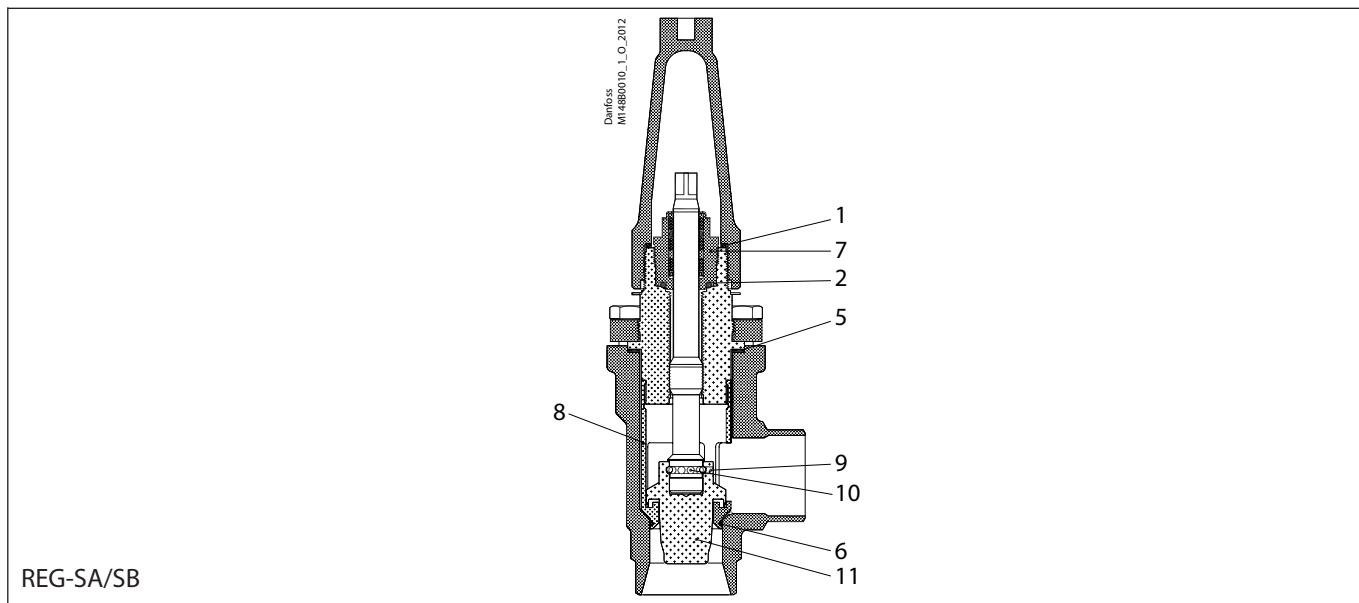
REG-SA/SB

<p>1</p> <p>Total no. = 1</p>	<p>2</p> <p>Total no. = 1</p>	<p>5</p> <p>Total no. = 1</p>	<p>6</p> <p>Total no. = 1</p>	<p>7</p> <p>Total no. = 1</p>
<p>8</p> <p>Total no. = 1</p>	<p>9</p> <p>Total no. = 1</p>	<p>10</p> <p>Total no. = 10</p>	<p>11</p> <p>Total no. = 1</p>	<p>11</p> <p>Total no. = 1</p>
<p>12</p> <p>Total no. = 1</p>				

NOTE:

When replacing the packing gland (pos. 7) in REG-SA/B or REG the aluminium gasket (pos. 2) is needed.

Overhaul kit | Code number 148B6176
REG-SA/SB size 25-40



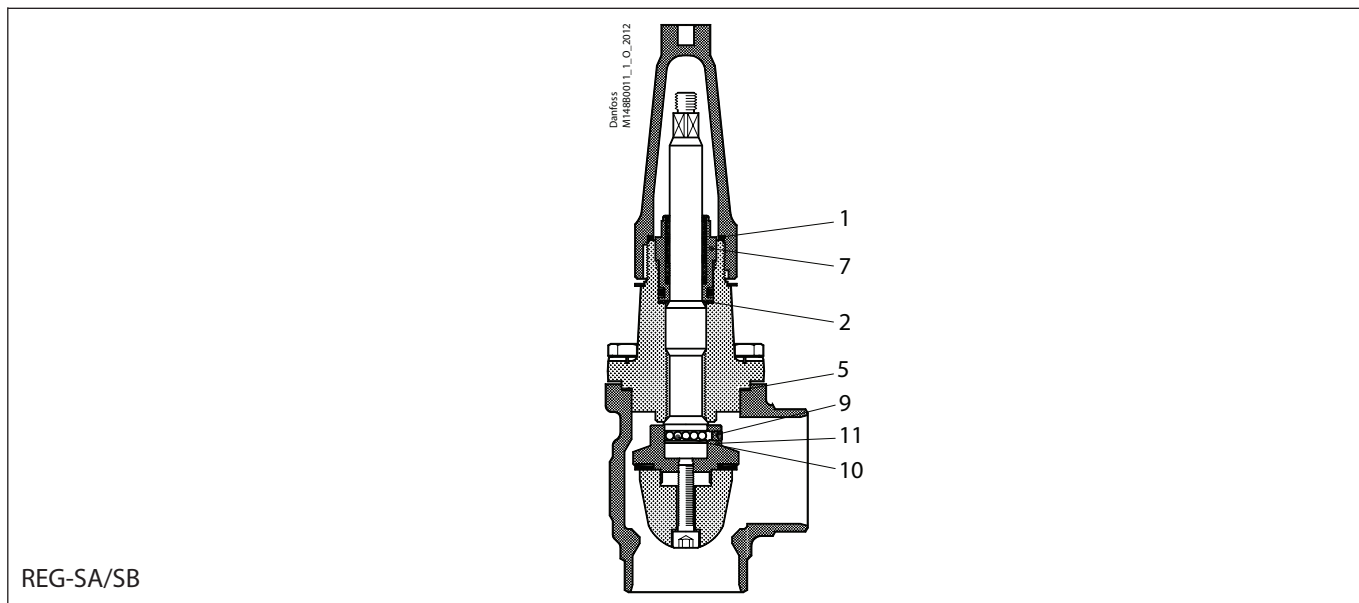
REG-SA/SB

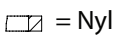
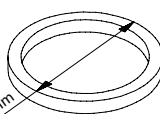
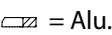
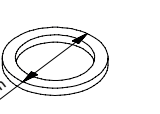
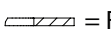
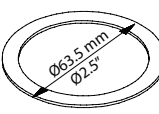
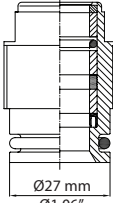

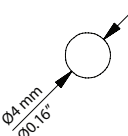
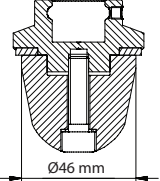
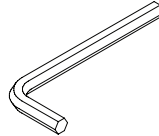
<p>1</p> <p> = Nylon</p> <p>Total no. = 1</p>	<p>2</p> <p> = Alu.</p> <p>Total no. = 1</p>	<p>5</p> <p> = Fibre</p> <p>Total no. = 1</p>	<p>6</p> <p>Total no. = 1</p>	<p>7</p> <p>Ø28 mm Ø1.1"</p> <p>Total no. = 1</p>
<p>8</p> <p>Ø38.5 mm Ø1.5 in.</p> <p>Total no. = 1</p>	<p>9</p> <p>M4</p> <p>Total no. = 1</p>	<p>10</p> <p>Ø3 mm Ø0.118"</p> <p>Total no. = 14</p>	<p>11</p> <p>A</p> <p>28 mm 1.09"</p> <p>Total no. = 1</p>	<p>11</p> <p>B</p> <p>14 mm 0.55"</p> <p>Total no. = 1</p>
<p>12</p> <p>Total no. = 1</p>				

NOTE:

When replacing the packing gland (pos. 7) in REG-SA/B or REG the aluminium gasket (pos. 2) is needed.

Overhaul kit | Code number 148B6177
REG-SA/SB size 50

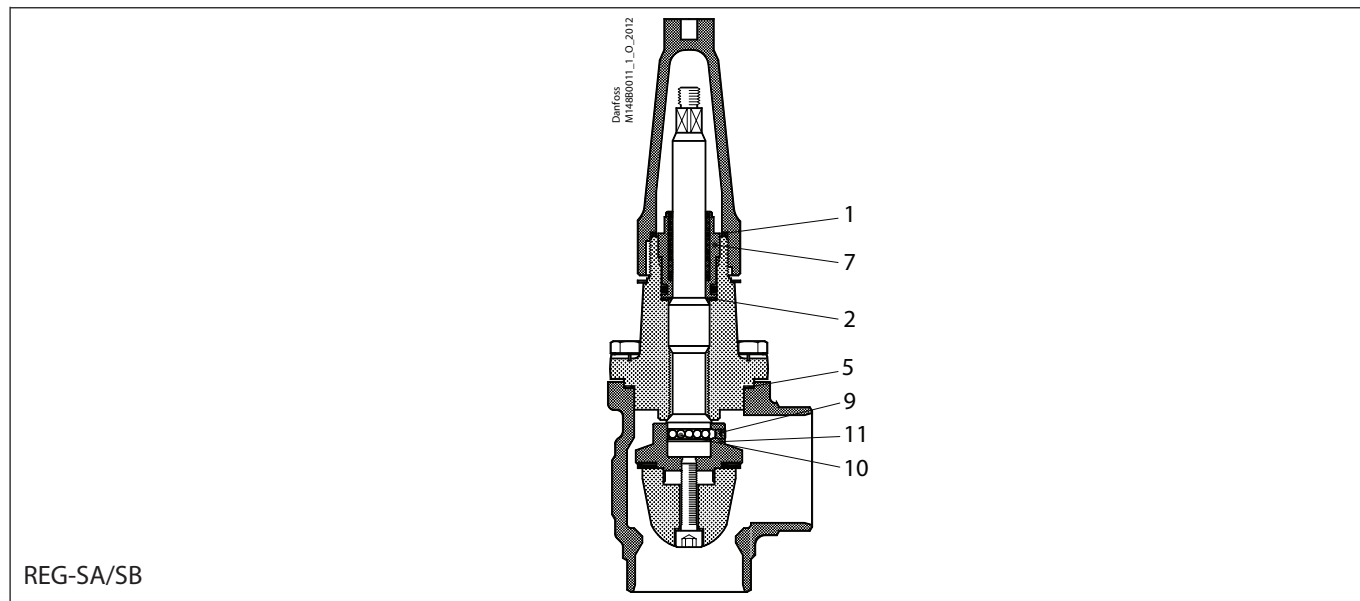


<p>1</p> <p> = Nylon</p>  <p>Total no. = 1</p>	<p>2</p> <p> = Alu.</p>  <p>Total no. = 1</p>	<p>5</p> <p> = Fibre</p>  <p>Total no. = 1</p>	<p>7</p>  <p>Total no. = 1</p>	<p>9</p>  <p>M5</p> <p>Total no. = 1</p>
<p>10</p>  <p>Ø4 mm / Ø0.16"</p> <p>Total no. = 14</p>	<p>11</p>  <p>Ø46 mm / Ø1.79"</p> <p>Total no. = 1</p>	<p>12</p>  <p>Total no. = 1</p>		

NOTE:

When replacing the packing gland (pos. 7) in REG-SA/B or REG the aluminium gasket (pos. 2) is needed.

Overhaul kit | Code number 148B6178
REG-SA/SB size 65



REG-SA/SB

<p>1</p> <p> = Nylon</p> <p>Total no. = 1</p>	<p>2</p> <p> = Alu.</p> <p>Total no. = 1</p>	<p>5</p> <p> = Fibre</p> <p>Total no. = 1</p>	<p>7</p> <p>Total no. = 1</p>	<p>9</p> <p>Total no. = 1</p>
<p>10</p> <p>Total no. = 14</p>	<p>11</p> <p>Total no. = 1</p>	<p>12</p> <p>Total no. = 1</p>		

NOTE:

When replacing the packing gland (pos. 7) in REG-SA/B or REG the aluminium gasket (pos. 2) is needed.

Accessories

SVA, SVA-ST, SVA-LT, SVA-HS, SVA-S, SVA-L, REG, REG-SA/SB, SCA, SCA-X and FIA

Cap incl. gasket for SVA, SVA-ST, SVA-LT, SVA-HS, SVA-S, SVA-L, REG, REG-SA/SB, SCA and SCA-X

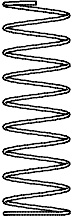
	Valve size	Code number
	3-10	148B4074
	15-20	148B4075
	25-65	148B4076
	80-100	148B4077
	125-150	148B4078
	200	148B4079

Please note: All accessory caps are red.

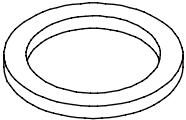
Hand wheel incl. nut and washer for SVA, SVA-ST, SVA-LT, SVA-HS, SVA-S, SVA-L, REG, REG-SA/SB, SCA and SCA-X

	Valve size	Code number
	3-10	148B4073
	15-20	148B4060
	25-40	148B4062
	50-65	148B4064
	80	148B4065
	100	148B4066
	125-150	148B4067
	200	148B4068

Spring for SCA, SCA-X, CHV and CHV-X

	Valve size	0.04 bar / 0.58 psi Code number	0.3 bar / 4.35 psi Code number
	15-20	148G3204	148G3206
	25-40 (before November 2012)	148G3205	148G3207
	25-40 (After November 2012)	148B6180	148B6179
	50	148G3475	148G3480
	65	148G3476	148G3481
	80	148G3477	148G3482
	100	148G3478	148G3734
125	148G3479	148G3735	

Gasket for housing/top cover for SVA-HS, SVA-S, SVA-L and FIA

	Valve / filter size	Code number
	15-20	148B4153
	25-40	148B4154
	50	148B4155
	65	148B4156
	80	148B4157
	100	148B4158
	125	148B4159
	150	148B4160
200	148B4161	

Grease for packing gland	All valve types and sizes	148H3445
--------------------------	---------------------------	----------