

201L LIQUID FILLED LOWER MOUNT



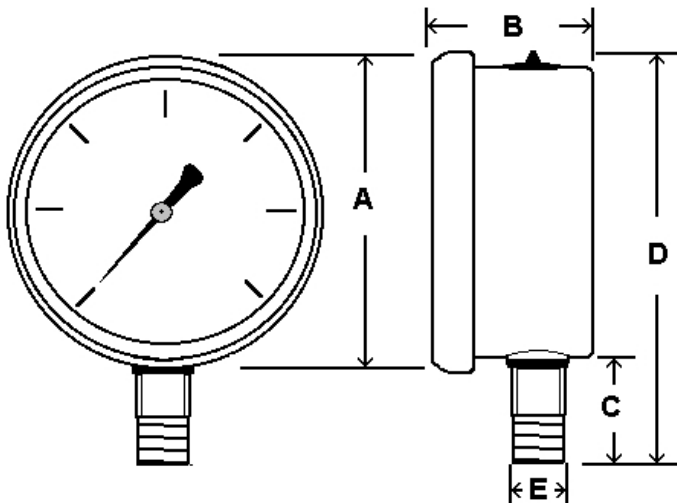
Glycerine filled for added durability in applications where vibration or pulsation is present
Stainless steel case and bezel, copper alloy internals

2

SPECIFICATIONS

Dial	1 ½" (40 mm), 2" (50 mm), 2 ½" (63 mm), 4" (100 mm)
Case	Stainless steel, glycerine filled
Wetted Parts	Copper alloy
Bezel	Stainless steel, fixed
Lens	Polycarbonate
Pointer	Black aluminum
Connection	Lower mount 1 ½" dial = ⅛" NPT 2" dial = ⅛" or ¼" NPT 2 ½" dial = ¼" NPT 4" dial = ¼" or ½" NPT
Scale	Standard: psi/BAR (x 100 = kPa) Single scale psi available from stock
Accuracy	3-2-3% of span 1 ½" & 2" ASME B40.1 Grade B 2-1-2% of span 2 ½" & 4" ASME B40.1 Grade A
Ambient Temp	Glycerine Filled = 30° F to 160° F Dry = -30° F to 180° F

Design meets or exceeds ASME B40.100 pressure gauge standard.



Dial	Unit	A	B	C	D	E
1 ½"	In.	1.85"	1.00"	0.67"	2.28"	⅛" NPT
	mm	47	25	17	58	
2"	In.	2.27"	1.20"	0.91"	2.95"	⅛" or ¼" NPT
	mm	58	31	23	75	
2 ½"	In.	2.80"	1.40"	1.07"	3.55"	¼" NPT
	mm	71	36	27	90	
4"	In.	4.29"	1.75"	1.17"	5.21"	¼" or ½" NPT
	mm	109	45	30	132	

AVAILABLE OPTIONS*

- Certificate of Accuracy, NIST traceable
- Custom Dial
- Liquid Fill Options, see page 176
- Anti-Vibration Movement, see page 109
- Glass Lens
- Dry, Fillable Case
- Cleaned for Oxygen Service (dry only)
- Special Connection Size
- Protective Rubber Cover, see page 121
- Max/Min Pointer, see page 122

*Lead times/minimums may apply

APPROXIMATE SHIPPING WEIGHTS/ BOX QUANTITIES

Dial Size	Est. Unit Weight	Box Qty
1 ½"	0.20 lbs (0.10 kg)	100
2"	0.40 lbs (0.18 kg)	100
2 ½"	0.55 lbs (0.24 kg)	50
4"	1.5 lbs (0.68 kg)	30



202L LIQUID FILLED CENTER BACK MOUNT

Glycerine filled for added durability in applications where vibration or pulsation is present
Stainless steel case and bezel, copper alloy internals

SPECIFICATIONS

2	Dial	1 1/2" (40 mm), 2" (50 mm), 2 1/2" (63 mm), 4" (100 mm)
	Case	Stainless steel, glycerine filled
	Wetted Parts	Copper alloy
	Bezel	Stainless steel, fixed
	Lens	Polycarbonate
	Pointer	Black aluminum
	Connection	Center back mount 1 1/2" dial = 1/8" NPT 2" dial = 1/8" or 1/4" NPT 2 1/2" dial = 1/4" NPT 4" dial = 1/4" NPT
	Scale	Standard: psi/BAR (x 100 = kPa) Single scale psi available from stock - 2 1/2" Only
	Accuracy	3-2-3% of span 1 1/2" & 2" ASME B40.1 Grade B 2-1-2% of span 2 1/2" & 4" ASME B40.1 Grade A
	Ambient Temp	Glycerine Filled = 30° F to 160° F Dry = -30° F to 180° F

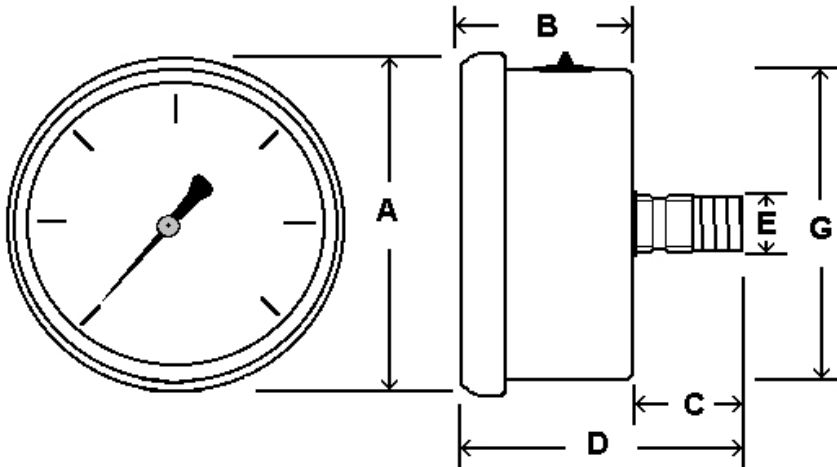
Design meets or exceeds ASME B40.100 pressure gauge standard.



AVAILABLE OPTIONS*

- Certificate of Accuracy, NIST traceable
- Custom Dial
- Liquid Fill Options, see page 176
- Anti-Vibration Movement, see page 109
- Glass Lens
- Dry, Fillable Case
- Cleaned for Oxygen Service (dry only)
- Special Connection Size
- Protective Rubber Cover, see page 121
- Max/Min Pointer, see page 122

*Lead times/minimums may apply



APPROXIMATE SHIPPING WEIGHTS/ BOX QUANTITIES

Dial	Unit	A	B	C	D	E	G
1 1/2"	In.	1.85"	1.02"	0.72"	1.74"	1/8" NPT	1.63"
	mm	47	26	18	44		42
2"	In.	2.28"	1.18"	0.94"	2.08"	1/8" or 1/4" NPT	2.05"
	mm	58	30	24	53		52
2 1/2"	In.	2.80"	1.34"	0.94"	2.28"	1/4" NPT	2.48"
	mm	71	34	24	58		63
4"	In.	4.29"	1.78"	1.37"	3.15"	1/4" NPT	3.91"
	mm	109	45	35	80		99

Dial Size	Est. Unit Weight	Box Qty
1 1/2"	0.20 lbs (0.10 kg)	100
2"	0.40 lbs (0.18 kg)	100
2 1/2"	0.55 lbs (0.26 kg)	50
4"	1.50 lbs (0.70 kg)	30

203L LIQUID FILLED U-CLAMP PANEL MOUNT



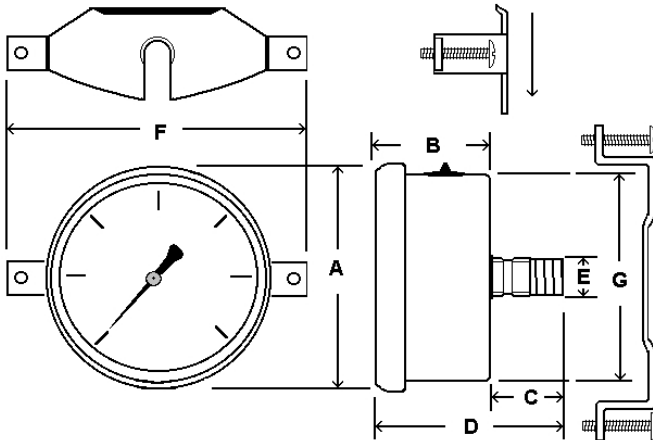
Glycerine filled for added durability in applications where vibration or pulsation is present
Stainless steel case and bezel, copper alloy internals

2

SPECIFICATIONS

Dial	1 1/2" (40 mm), 2" (51 mm), 2 1/2" (63 mm), 4" (100 mm)
Case	Stainless steel, glycerine filled
Wetted Parts	Copper alloy
Bezel	Stainless steel, fixed
Lens	Polycarbonate
Pointer	Black aluminum
Connection	Center back mount with u-clamp 1 1/2" dial = 1/8" NPT 2" dial = 1/8" or 1/4" NPT 2 1/2" dial = 1/4" NPT 4" dial = 1/4" NPT
Scale	Standard: psi/BAR (x 100 = kPa) Single scale psi available from stock - 2 1/2" Only
Accuracy	3-2-3% of span 1 1/2" & 2" ASME B40.1 Grade B 2-1-2% of span 2 1/2" & 4" ASME B40.1 Grade A
Ambient Temp	Glycerine Filled = 30° F to 160° F Dry = -30° F to 180° F

Design meets or exceeds ASME B40.100 pressure gauge standard.



Dial	Unit	A	B	C	D	E	F	G
1 1/2"	In.	1.85"	1.02"	0.72"	1.74"	1/8" NPT	2.75"	1.63"
	mm	47	26	18	44		70	42
2"	In.	2.28"	1.18"	0.94"	2.08"	1/8" or 1/4" NPT	3.13"	2.05"
	mm	58	30	24	53		80	52
2 1/2"	In.	2.80"	1.34"	0.94"	2.28"	1/4" NPT	3.84"	2.48"
	mm	71	34	24	58		98	63
4"	In.	4.29"	1.78"	1.37"	3.15"	1/4" or 1/2" NPT	5.6"	3.91"
	mm	109	45	35	80		141	99



AVAILABLE OPTIONS*

- Certificate of Accuracy, NIST traceable
- Custom Dial
- Liquid Fill Options, see page 176
- Anti-Vibration Movement, see page 109
- Glass Lens
- Dry, Fillable Case
- Cleaned for Oxygen Service (dry only)
- Special Connection Size
- Max/Min Pointer, see page 122

*Lead times/minimums may apply

APPROXIMATE SHIPPING WEIGHTS/ BOX QUANTITIES

Dial Size	Est. Unit Weight	Box Qty
1 1/2"	0.30 lbs (0.13 kg)	100
2"	0.50 lbs (0.23 kg)	100
2 1/2"	0.65 lbs (0.29 kg)	50
4"	1.70 lbs (0.76 kg)	30



3 1/2" 203D FILLABLE U-CLAMP PANEL MOUNT

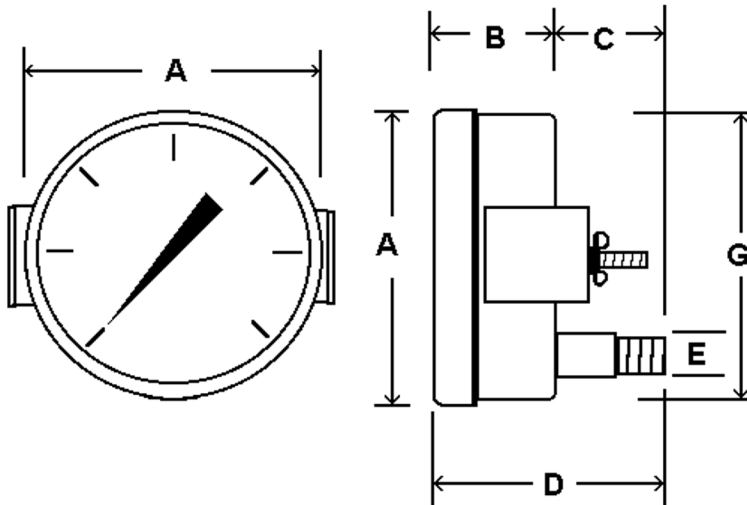
Dry yet fillable gauge for durability in applications where vibration or pulsation is present
Stainless steel case and bezel, copper alloy internals

SPECIFICATIONS

2	Dial	3 1/2" (88 mm)
	Case	Stainless steel, dry yet fillable
	Wetted Parts	Copper alloy
	Bezel	Stainless steel, fixed
	Lens	Polycarbonate
	Pointer	Black aluminum
	Connection	Lower back mount with u-clamp 3 1/2" dial = 1/4" NPT
	Scale	Standard: psi/BAR (x 100 = kPa)
	Accuracy	2-1-2% of span, ASME B40.1 Grade A
	Ambient Temp	Dry = -30° F to 180° F Glycerine Filled = 30° F to 160° F



Design meets or exceeds ASME B40.100 pressure gauge standard.



AVAILABLE OPTIONS*

- Certificate of Accuracy, NIST traceable
- Custom Dial
- Liquid Fill Options, see page 176
- Anti-Vibration Movement, see page 109
- Glass Lens
- Cleaned for Oxygen Service (dry only)
- Special Connection Size
- Max/Min Pointer, see page 122

*Lead times/minimums may apply

APPROXIMATE SHIPPING WEIGHTS/ BOX QUANTITIES

Dial	Unit	A	B	C	D	E	G
3 1/2"	In.	3.83"	1.13"	1.00"	2.15"	1/4" NPT	3.50"
	mm	97	29	25	55		89

Dial Size	Est. Unit Weight	Box Qty
3 1/2"	0.60 lbs (0.28 kg)	50

204L LIQUID FILLED FRONT FLANGE PANEL MOUNT

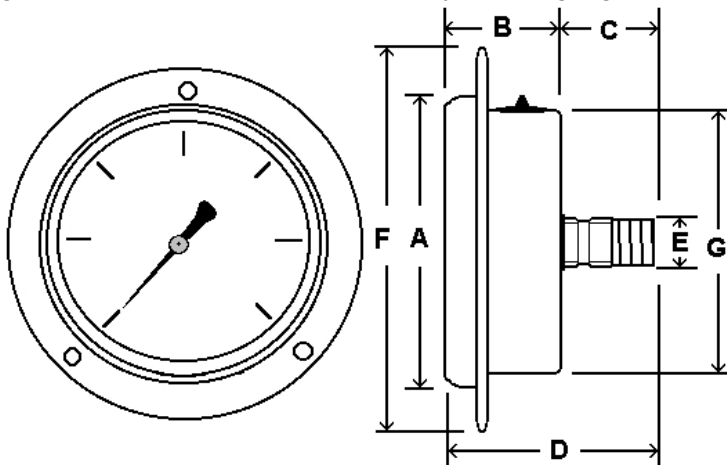


Glycerine filled for added durability in applications where vibration or pulsation is present
Stainless steel case and bezel, copper alloy internals

SPECIFICATIONS

Dial	1 ½" (40 mm), 2" (50 mm), 2 ½" (63 mm), 3 ½" (88 mm), 4" (100 mm)
Case	Stainless steel, glycerine filled
Wetted Parts	Copper alloy
Bezel	Stainless steel, fixed
Lens	Polycarbonate
Pointer	Black aluminum
Connection	Center back mount with front flange 1 ½" dial = ⅛" NPT 2" dial = ⅛" or ¼" NPT 2 ½" dial = ¼" NPT 3 ½" dial = ¼" NPT - ships with u-clamp 4" dial = ¼" NPT
Scale	Standard: psi/BAR (x 100 = kPa) Single scale psi available from stock - 2 ½" Only
Accuracy	3-2-3% of span 1 ½" & 2" ASME B40.1 Grade B 2-1-2% of span 2 ½" & 4" ASME B40.1 Grade A
Ambient Temp	Glycerine Filled = 30° F to 160° F Dry = -30° F to 180° F

Design meets or exceeds ASME B40.100 pressure gauge standard.



Dial	Unit	A	B	C	D	E	F	G
1 ½"	In.	1.85"	1.02"	0.72"	1.74"	⅛" NPT	2.46"	1.63"
	mm	47	26	18	44		63	42
2"	In.	2.28"	1.18"	0.94"	2.08"	⅛" or ¼" NPT	2.81"	2.05"
	mm	58	30	24	53		72	52
2 ½"	In.	2.80"	1.34"	0.94"	2.28"	¼" NPT	3.45"	2.48"
	mm	71	34	24	58		88	63
4"	In.	4.29"	1.78"	1.37"	3.15"	¼" or ½" NPT	5.14"	3.91"
	mm	109	45	35	80		130	99



2

AVAILABLE OPTIONS*

- Certificate of Accuracy, NIST traceable
- Custom Dial
- Liquid Fill Options, see page 176
- Anti-Vibration Movement, see page 109
- Glass Lens
- Dry, Fillable Case
- Cleaned for Oxygen Service (dry only)
- Special Connection Size
- Max/Min Pointer, see page 122

*Lead times/minimums may apply

APPROXIMATE SHIPPING WEIGHTS/ BOX QUANTITIES

Dial Size	Est. Unit Weight	Box Qty
1 ½"	0.30 lbs (0.13 kg)	100
2"	0.50 lbs (0.23 kg)	100
2 ½"	0.60 lbs (0.29 kg)	50
4"	1.70 lbs (0.76 kg)	30

For complete flange dimensions, see page 123.