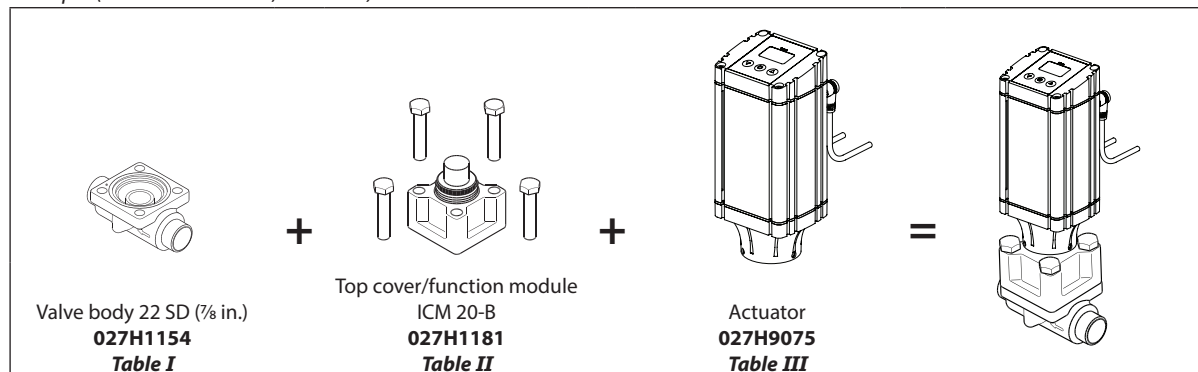


ICM 20 / ICAD 600A

Ordering from the parts programme

Example (select from table I, II and III)



ICV 20 valve body w/different connections *Table I*

20 D (3/4 in.)	25 D (1 in.)	20 A (3/4 in.)	20 SOC (3/4 in.)
027H1145	027H1163	027H1148	027H1151
16 SA (5/8 in.)	22 SA (7/8 in.)	16 SD (5/8 in.)	22 SD (7/8 in.)
027H1129	027H1160	027H1132	027H1154
20 FPT (3/4 in.)		25 A (1 in.)	
027H1157		027H1166	

D = Butt-weld DIN ; A = Butt-weld ANSI ; J = Butt-weld JIS ;
SOC = Socket weld ANSI ; SD = Solder DIN ; SA = Solder ANSI ;
FPT = Female Pipe Thread

ICM 20 Function module / top cover *Table II*

Description	Code Number
ICM 20-A33	027H1186 *
ICM 20-A	027H1180 *
ICM 20-B66	027H1194 *
ICM 20-B	027H1181 *
ICM 20-C	027H1182 *

*) Including:
Bolts and O-ring (for assembly with ICV valve body)
Seat and O-ring (for seat to be mounted in ICV valve body)

Actuator ICAD 600A *Table III*

Description	Code Number
ICAD 600A with 1.5 m. / 60 in. cables	027H9075
ICAD 600A without cables	027H9120

Ordering complete factory assembled valve without actuator

(body, function module/top cover)

Table A

Available connections									
	20 D (3/4 in.)	25 D (1 in.)	20 A (3/4 in.)	20 SOC (3/4 in.)	16 SA (5/8 in.)	22 SA (7/8 in.)	16 SD (5/8 in.)	22 SD (7/8 in.)	20 FPT (3/4 in.)
ICM 20-A	027H1030	027H1020	027H1035	027H1040		027H1050		027H1045	
ICM 20-B	027H1031	027H1021	027H1036	027H1041		027H1051		027H1046	
ICM 20-C	027H1032	027H1022				027H1052		027H1047	
	25 A (1 in.)								
ICM 20-A									
ICM 20-B									
ICM 20-C	027H1025								

Select from parts programme